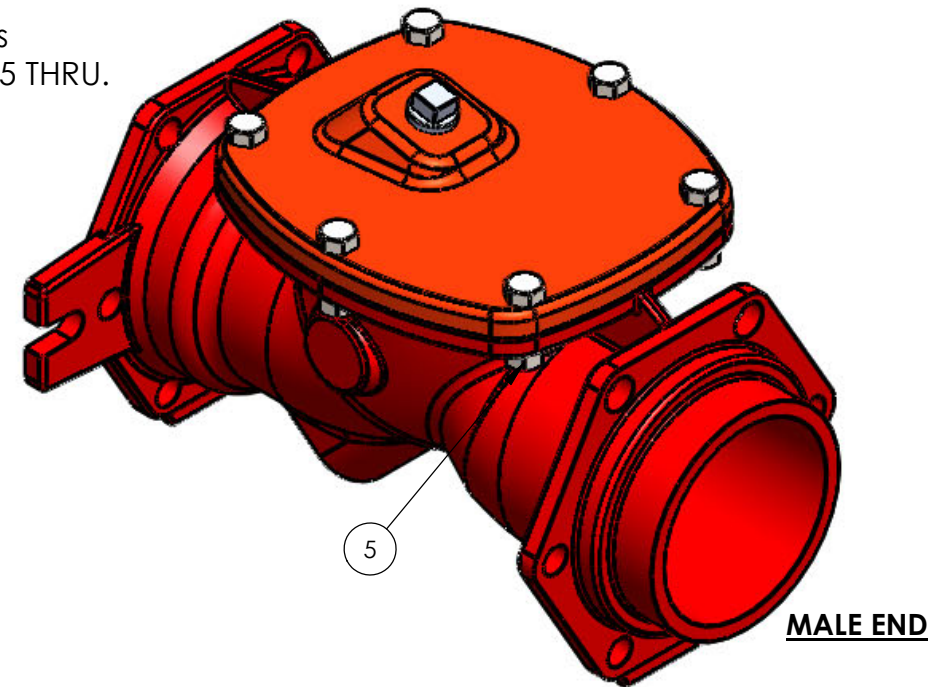
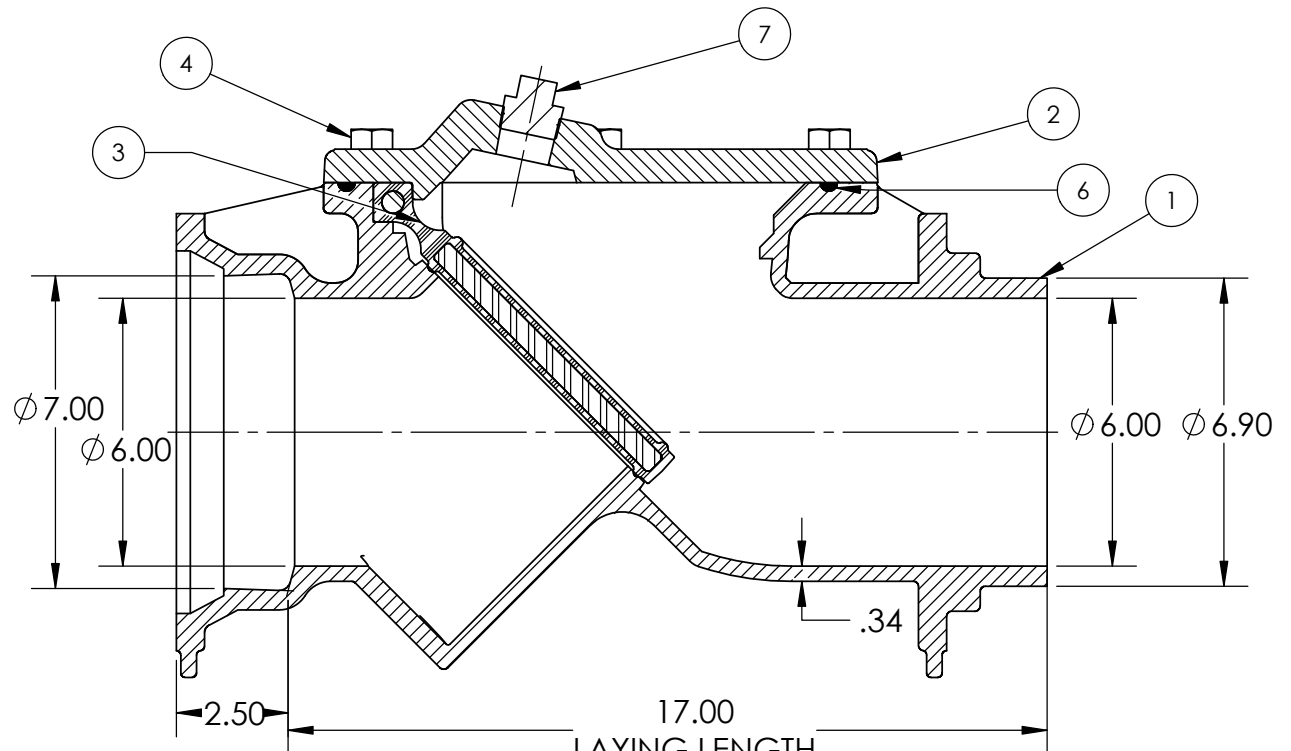
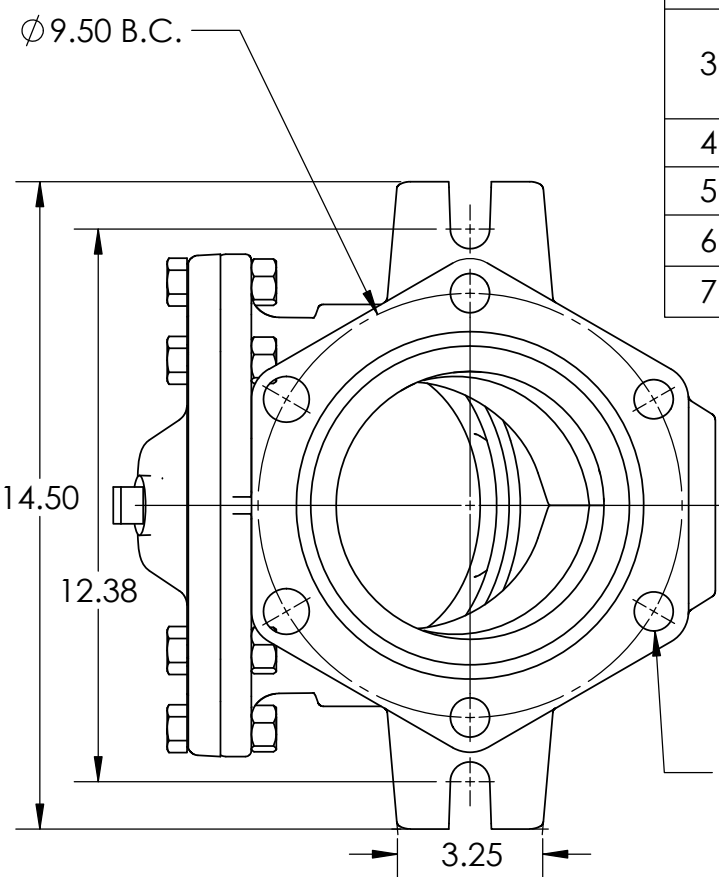
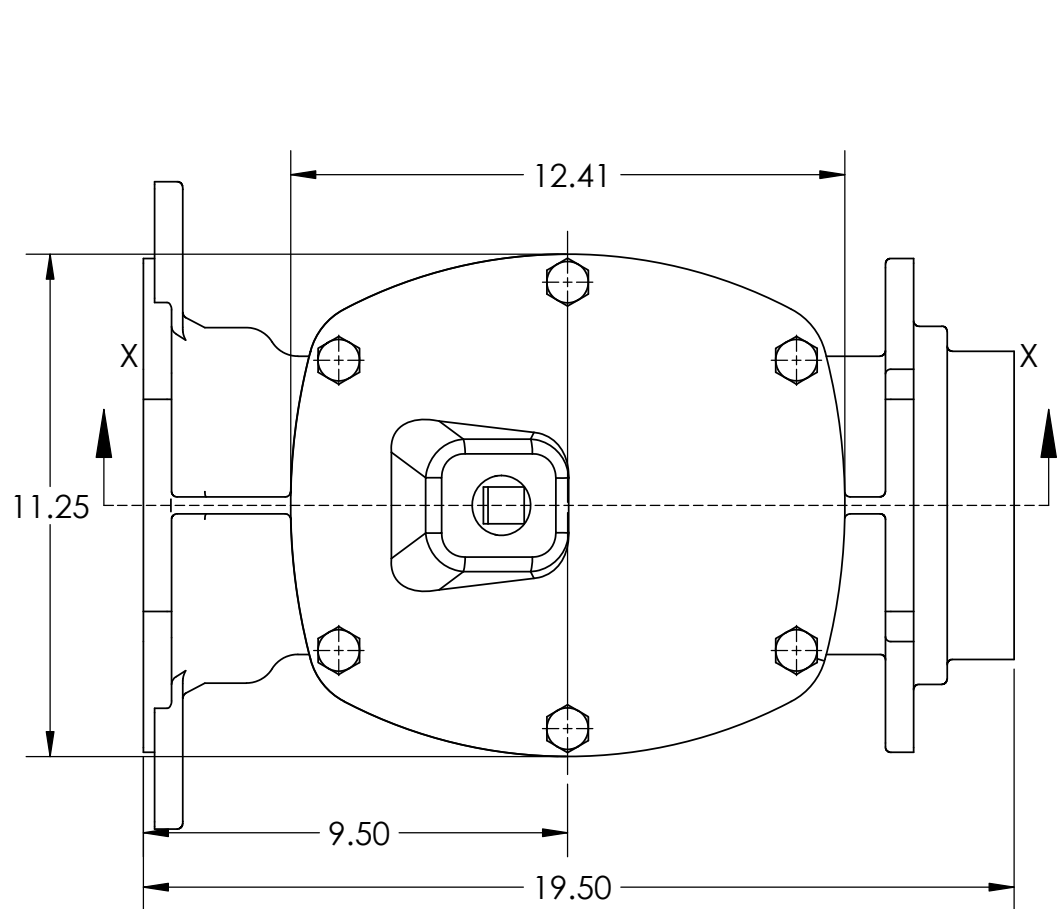


NO.	DESCRIPTION	MATERIAL	ASTM DESIGNATION	QTY
1	BODY	DUCTILE IRON	A536 GR. 65-45-12 / 70-50-05	1
2	COVER	DUCTILE IRON	A536 GR. 65-45-12 / 70-50-05	1
3	FLAPPER ASSEMBLY	DUCTILE IRON	A536 GR. 65-45-12 / 70-50-05	1
		EPDM COATED	D2000	
4	BOLT	STAINLESS STEEL	F593 S30400	6
5	NUT	STAINLESS STEEL	F594 S30400	6
6	O-RING	RUBBER	D2000	1
7	PIPE PLUG	STAINLESS STEEL		1



NO	DATE	ECN	REVISION
-	12/12/19	-	ADDED PLUG, HARDWARE IS STAINLESS
-	11/29/19	-	LABELED GENDER OF MJ ENDS
-	4/29/19	-	UPDATED TITLE
1	7/12/18	ECN-3116	INITIAL RELEASE

PROPRIETARY AND CONFIDENTIAL
 THE INFORMATION CONTAINED IN THIS DRAWING IS THE SOLE PROPERTY OF Kennedy Valve Co.. ANY REPRODUCTION IN PART OR AS A WHOLE WITHOUT THE WRITTEN PERMISSION OF Kennedy Valve Co. IS PROHIBITED.
 DESIGN & INVENTION RIGHTS RESERVED

UNLESS OTHERWISE SPECIFIED:
 CASTING DIM:
 0" - 4" +/- 1/32"
 4" - 8" +/- 3/64"
 8" - 12" +/- 1/16"
 12" - 18" +/- 3/32"
 18" - UP +/- 1/8"
 RADII 1/8"
 DRAFT 2°

MACHINING DIM:
 DUAL DIM. INCHES[MM]
 FRACTIONAL ± 1/64
 ANGULAR ± .5
 RADII 1/32"
 TWO PLACE DECIMAL ± .02
 THREE PLACE DECIMAL ± .005

DO NOT SCALE DRAWING

NAME	DATE
DRAWN INDIA	4/24/18
CHECKED DSB	7/20/18
APPROVED	
APPROVED(KV) PGK	7/23/18

Kennedy Valve Co.
 Division of McWane, Inc.
 Hydrant and Valve Group

TITLE:
FIGURE 507, 6" PATRIOT II MJ (M X F) CHECK VALVE ASSEMBLY

SIZE	PART NO.	DWG. NO.	REV
D		81791	1

SCALE: WEIGHT: SHEET 1 OF 1