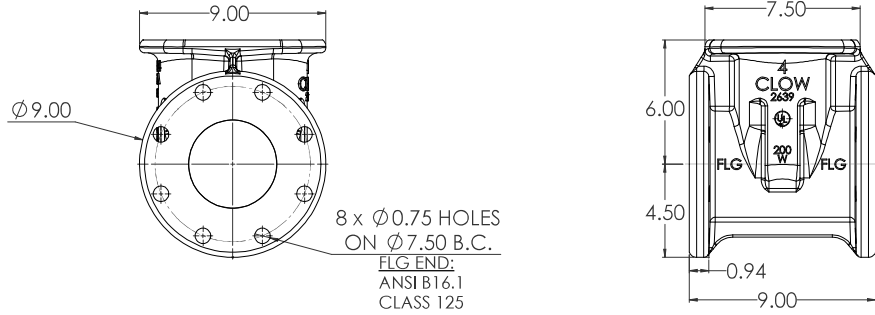
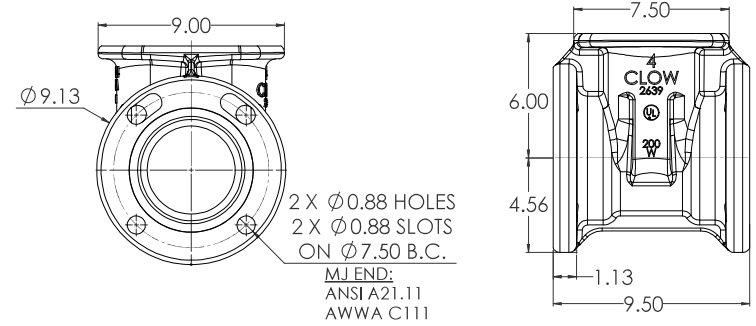


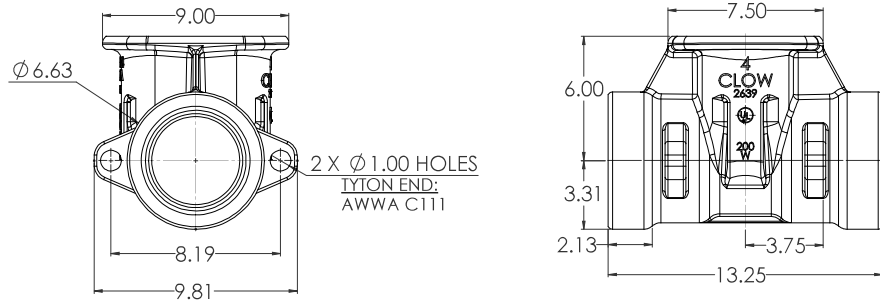
**04" C509 FLG X FLG**



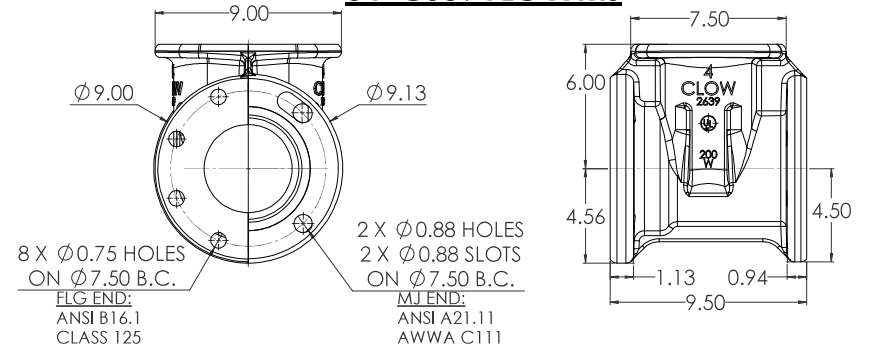
**04" C509 MJ X MJ**



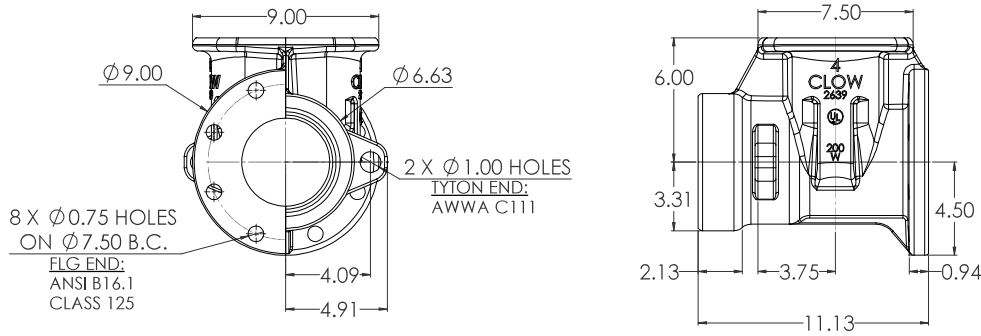
**04" C509 TYTON X TYTON**



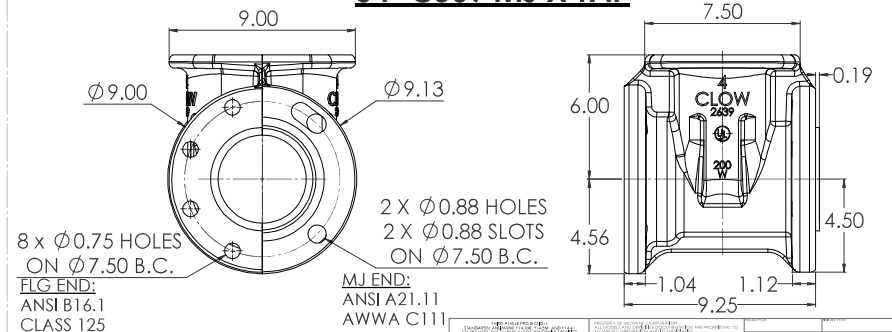
**04" C509 FLG X MJ**



**04" C509 FLG X TYTON**

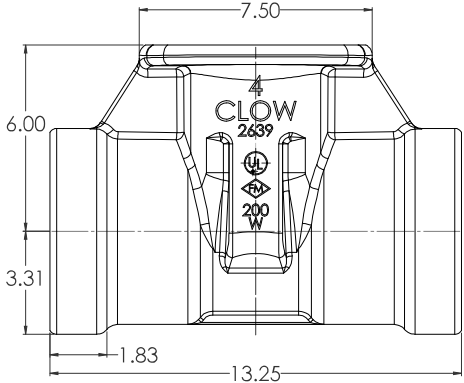
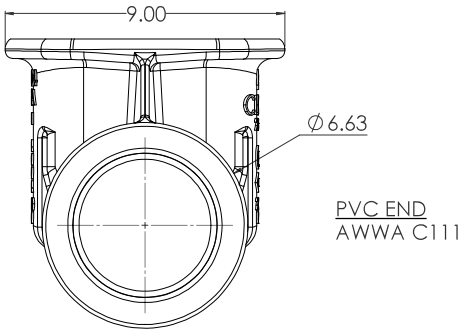


**04" C509 MJ X TAP**



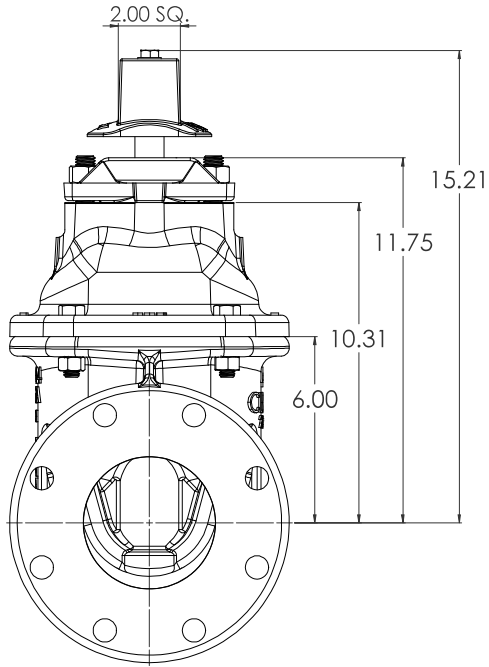
COMPANY: CLOW VALVE CO. ADDRESS: 1000 W. 10TH ST., ST. LOUIS, MO. 63102 PHONE: (314) 241-1000 FAX: (314) 241-1001 E-MAIL: SALES@CLOWVALVE.COM WEBSITE: WWW.CLOWVALVE.COM	PROJECT: 04" C509 NRS RESILIENT LBS. WEDGE GATE VALVE DRAWING NO.: 12/12020 SCALE: 1:3 DATE: 12/1/2020 DRAWN BY: [Blank] CHECKED BY: [Blank]	SHEET NO.: 6 TOTAL SHEETS: 6 PROJECT NO.: [Blank] CLIENT: [Blank]	CLOW VALVE CO. 12/1/2020 6
---	---	--	----------------------------------

**04" C509 PVC X PVC**

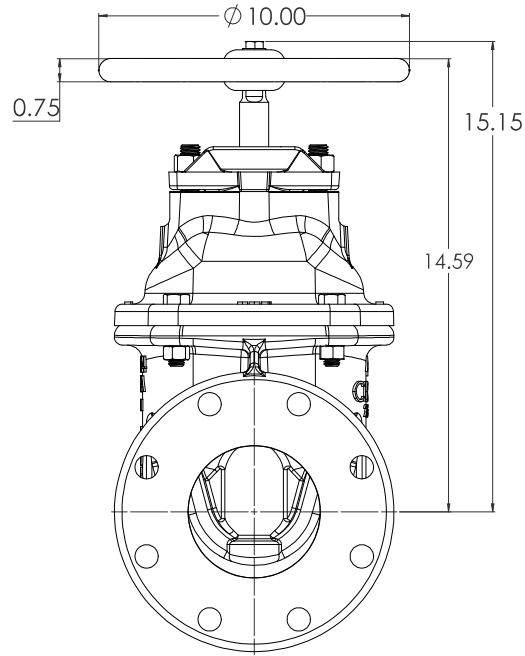


<b>CLW</b> CLW Valve Co.		12/1/2020		1:2		2016 SP2	
DATE: 12/1/2020 TIME: 10:00 AM USER: CW	PROJECT: 12/1/2020	DRAWING: 12/1/2020	SHEET: 1:2	TITLE: 04" C509 NRS RESILIENT LBS. WEDGE GATE VALVE	SCALE:	TOTAL SHEETS: 6	SHEET NO: 2

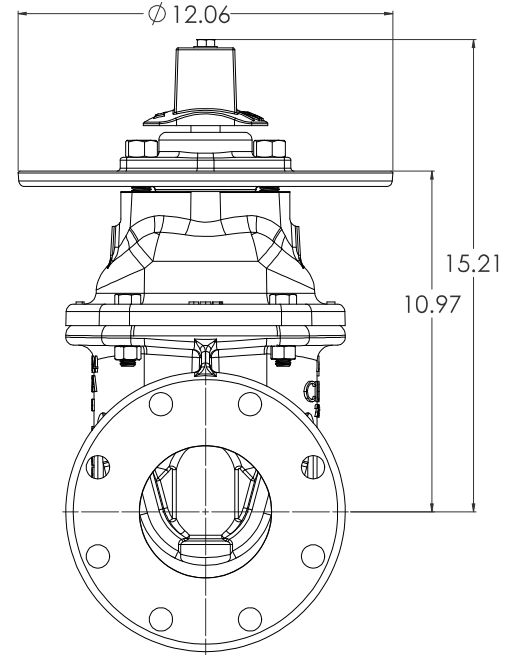
**O-RING PLATE WITH  
OPERATING NUT**



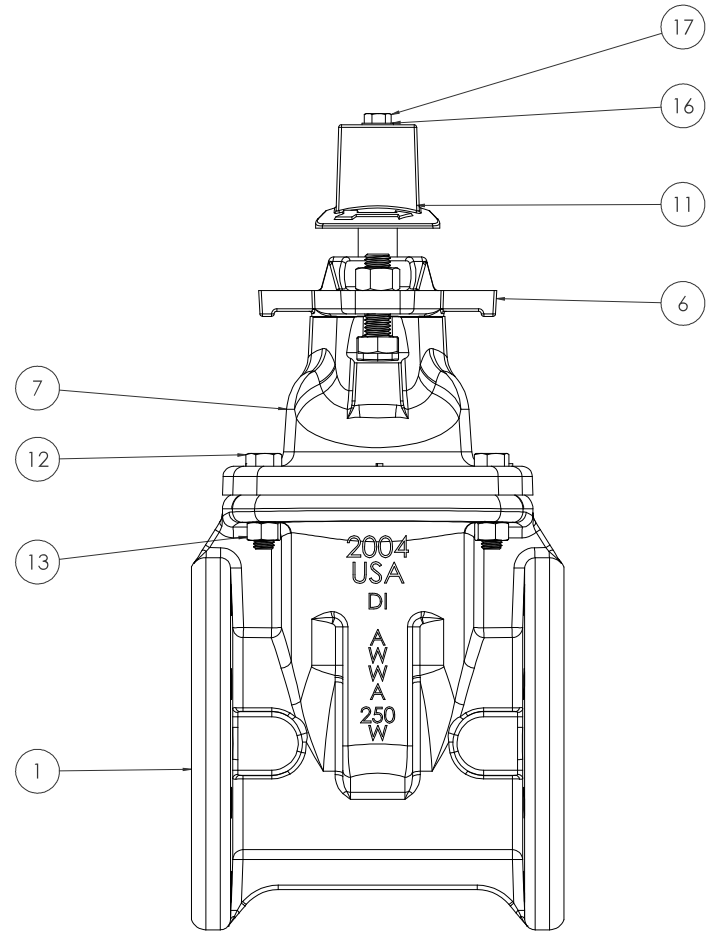
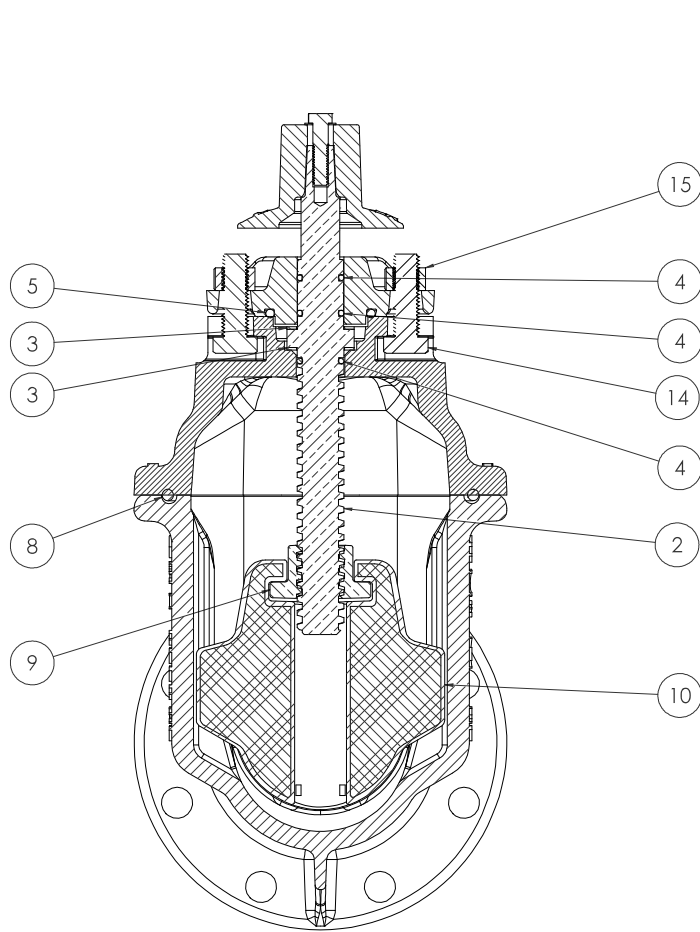
**O-RING PLATE WITH  
HANDWHEEL**



**INDICATOR POST PLATE  
WITH OPERATING NUT**



<b>CLW</b> CONSTRUCTION LOGIC WORKS		12/1/2020		1:5		3		6	
DATE: 12/1/2020 TIME: 10:00 AM DRAWN BY: CW CHECKED BY:	PROJECT: 12/1/2020 SHEET: 1:5 TITLE:	Q4" C509 NRS RESILIENT LBS. WEDGE GATE VALVE	3	6	12/1/2020	1:5	3	6	12/1/2020



2004  
USA  
DI  
AWWA  
250  
W

COMPANY: <b>CLW</b> ADDRESS: <b>1201/20200</b> CITY: <b>CW</b>		PROJECT: <b>Q4" C509 NRS RESILIENT WEDGE GATE VALVE</b> SCALE: <b>1:5</b>		SHEET: <b>4</b> TOTAL SHEETS: <b>6</b>	
DATE: <b>12/1/2020</b> DRAWN BY: <b>AW</b> CHECKED BY: <b>AW</b> APPROVED BY: <b>AW</b>		MATERIALS: <b>LBS.</b> WEIGHT: <b>1:5</b>		PROJECT NO.: <b>1201/20200</b> SHEET NO.: <b>4</b> TOTAL SHEETS: <b>6</b>	

**CLW**  
VALVE CO.

<u>ITEM NO.</u>	<u>COMPONENT</u>	<u>QTY.</u>	<u>SIZE</u>	<u>STANDARD MATERIAL</u>	<u>MATERIAL OPTIONS</u>
1	BODY	1	-	CAST IRON	DUCTILE IRON
2	STEM	1	-	C86200	C99500 (LOW ZINC), 304 SS, 316 SS
3	THRUST WASHER	2	-	ACETAL	C26000
4	O-RING	3	#212	EPDM	BUNA-N
5	O-RING	1	#331	EPDM	BUNA-N
6	O-RING PLATE	1	-	DUCTILE IRON	**INDICATOR POST PLATE**
7	COVER	1	-	CAST IRON	DUCTILE IRON
8	O-RING	1	#437	EPDM	BUNA-N
9	STEM NUT	1	-	C87850	C87610 (LOW ZINC)
10	WEDGE	1	-	EPDM/DUCTILE IRON	-
11	OPERATING NUT	1	-	CAST IRON	DUCTILE IRON, C86700, **10" DIA. HANDWHEEL**
12	HEX HEAD CAP SCREW	4	1/2"-13 X 2"	18-8 SS	316 SS
13	HEX NUT	4	1/2"-13	18-8 SS	316 SS
14	HEX HEAD CAP SCREW	2	5/8"-11 X 2	18-8 SS	316 SS
15	HEX NUT	2	5/8"-11	18-8 SS	316 SS
16	WASHER	1	3/8"	18-8 SS	316 SS
17	HEX HEAD CAP SCREW	1	3/8"-16 X 1 1/2"	18-8 SS	316 SS

- VALVES CONFORM WITH THE FOLLOWING STANDARDS
  - AWWA C509
  - NSF 61
- LOW ZINC BRASS STEM AND STEM NUT AVAILABLE
- 100% DOMESTIC FASTENERS AND ORINGS OPTIONS AVAILABLE
- *OPEN LEFT* (COUNTERCLOCKWISE) AND *OPEN RIGHT* (CLOCKWISE) OPTIONS AVAILABLE
- TURNS TO OPEN FROM FULLY CLOSED: 12
- AWWA MAXIMUM ALLOWABLE TORQUE TO CLOSE 75 FT-LBS
- OPTIONAL HANDWHEEL CAN BE SUBSTITUTED FOR STANDARD 2" SQUARE OP NUTS.
  - \*\*NOTE: STANDARD HANDWHEELS SIZE CALLED OUT IN PARTS LIST.\*\*

<small>CLW Logo</small> CLOW WATERWORKS 12000 W. 120th St., Omaha, NE 68144 (402) 426-1000 www.clow.com		<small>Product Information</small> Description: 04' C509 NRS RESILIENT LBS. WEDGE GATE VALVE Part No: 12000 Date: 12/1/2020 Rev: 1		<small>Ordering Information</small> Order No: 12000 Order Date: 12/1/2020 Order Qty: 1 Order Unit: EA		<small>Inventory Information</small> Stock No: 12000 Stock Qty: 1 Stock Unit: EA		<small>CLW Logo</small> CLOW WATERWORKS 12000 W. 120th St., Omaha, NE 68144 (402) 426-1000 www.clow.com	
---	--	--	--	---	--	---	--	---	--