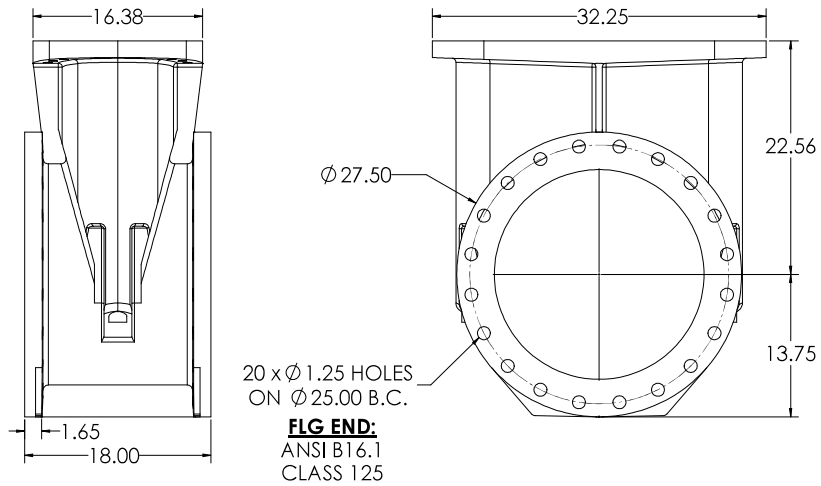
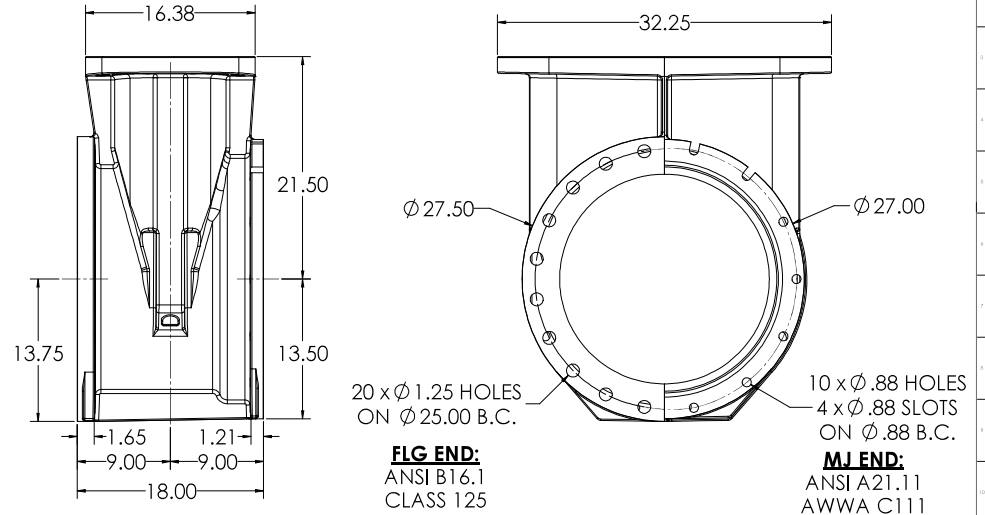


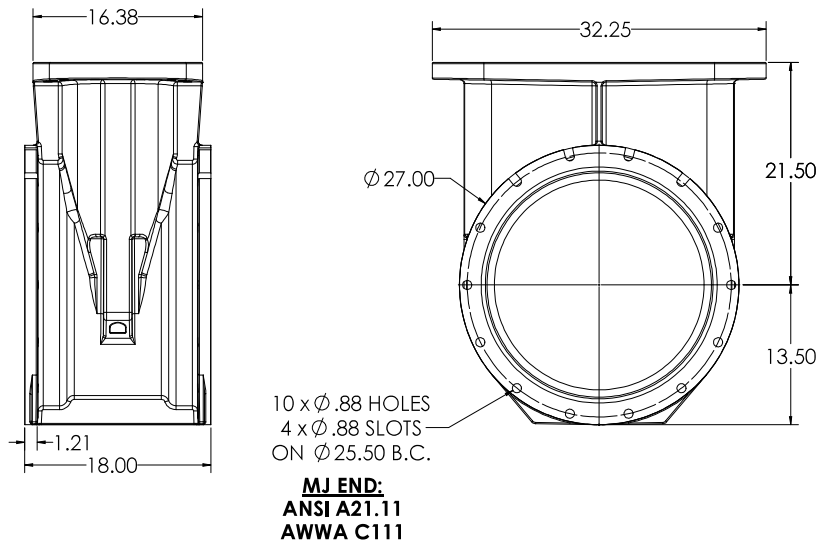
**20" C515 FLG X FLG**



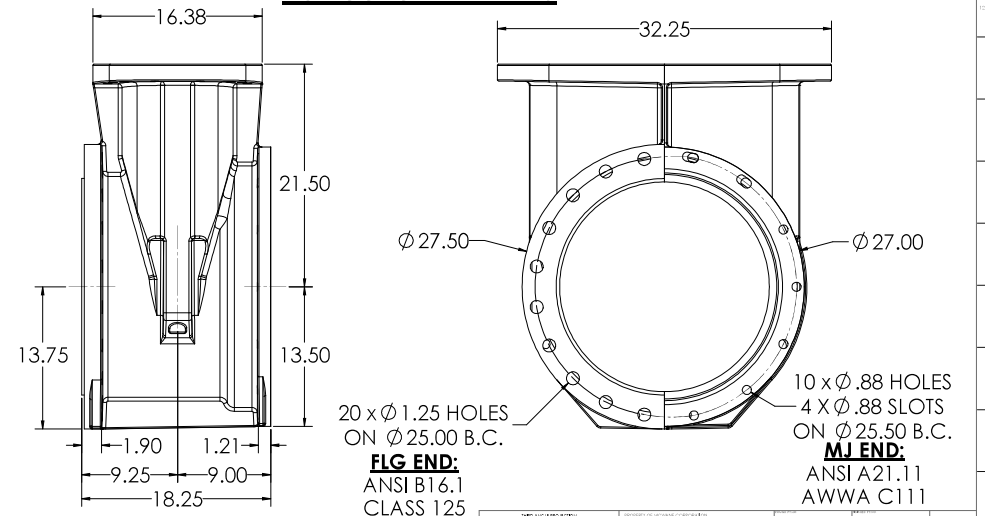
**20" C515 FLG X MJ**



**20" C515 MJ X MJ**

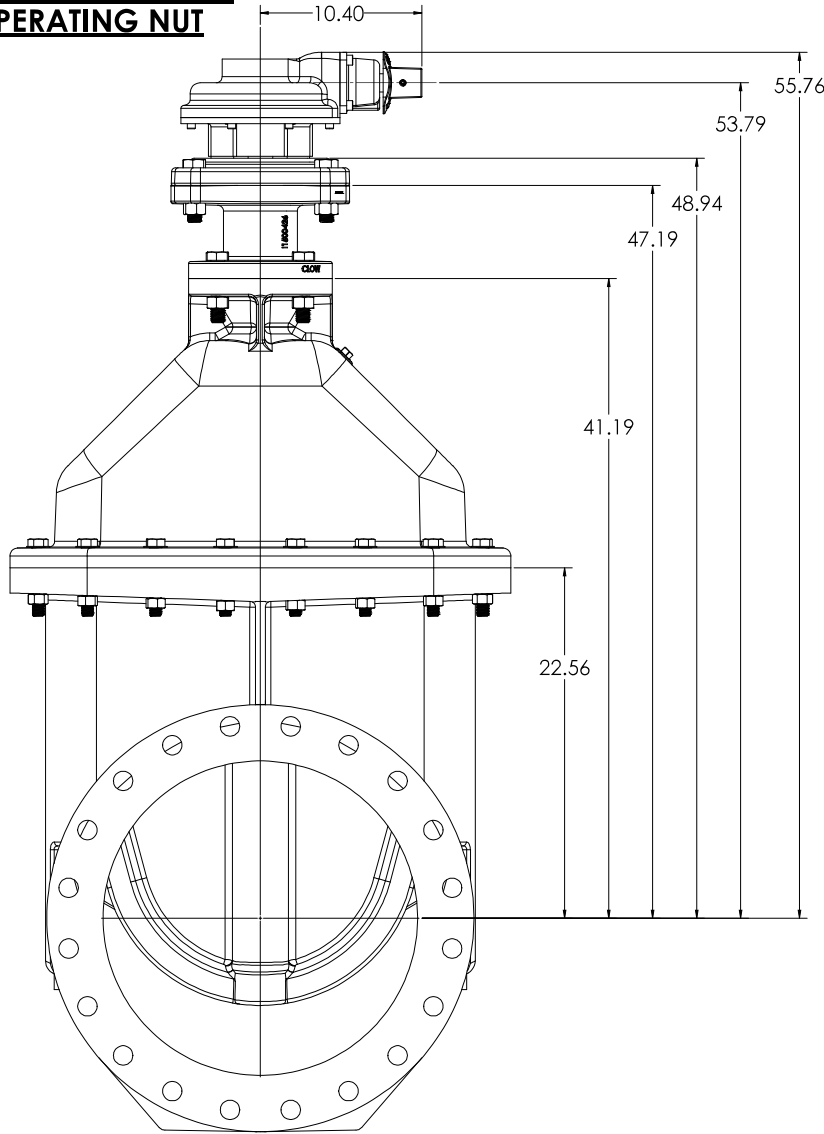


**20" C515 TAP X MJ**

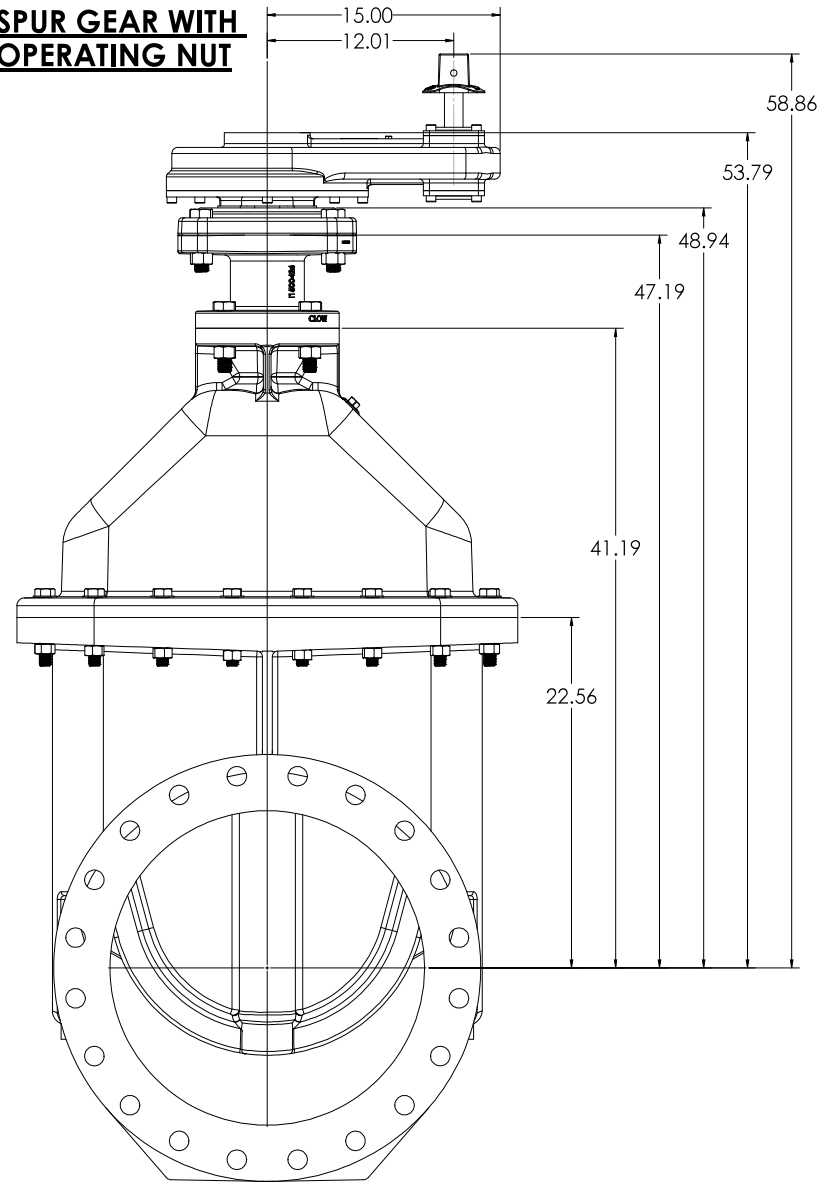


COMPANY: CLW ADDRESS: 10000 W. 10th Ave., Suite 100 Overland Park, KS 66213 PHONE: (913) 666-1100 FAX: (913) 666-1101 WWW: www.clw.com		PROJECT: A TITLE: 20" C515 NRS GEARED RESILIENT WEDGE GATE VALVE LBS: T-6 SHEET: 7		DWG: 104320 DATE: 1/16 DESIGNED BY: SJK CHECKED BY: JPK APPROVED BY: JPK	PROJECT NO: 104320 SHEET NO: 7 SCALE: AS SHOWN DATE: 1/16 DRAWN BY: SJK CHECKED BY: JPK APPROVED BY: JPK
---	--	---	--	--	--

**BEVEL GEAR WITH OPERATING NUT**

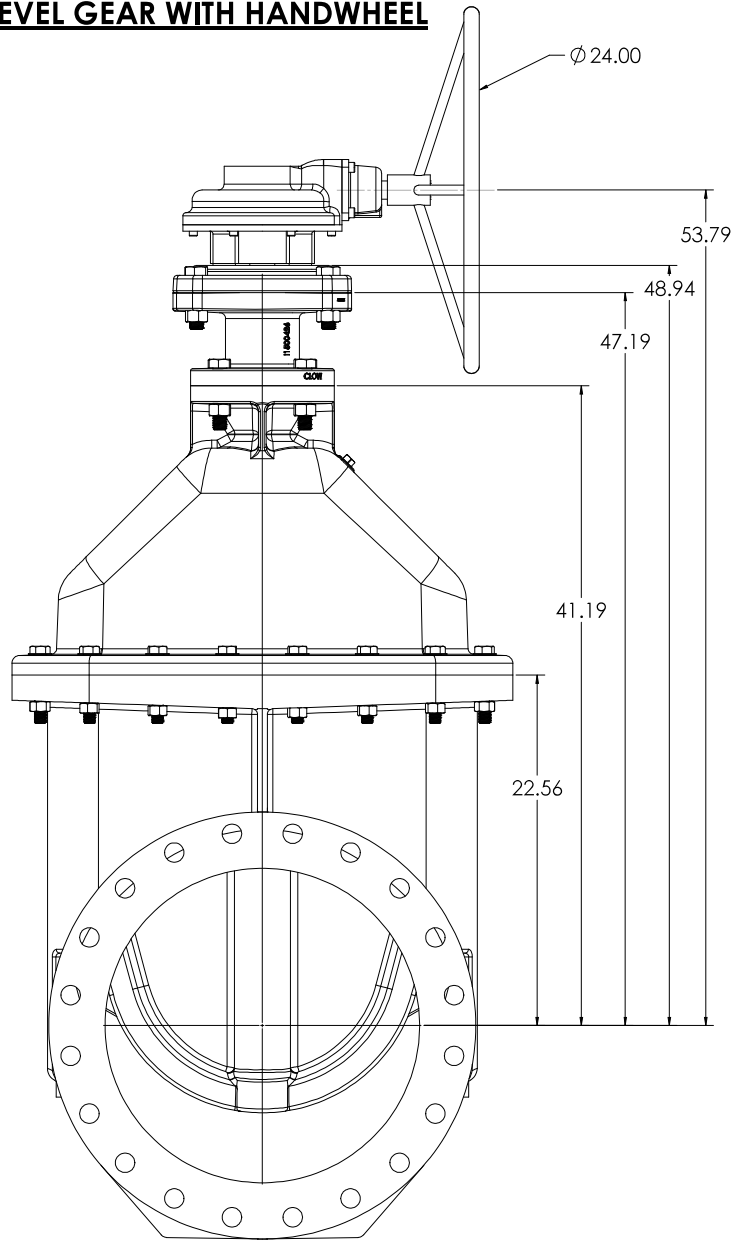


**SPUR GEAR WITH OPERATING NUT**

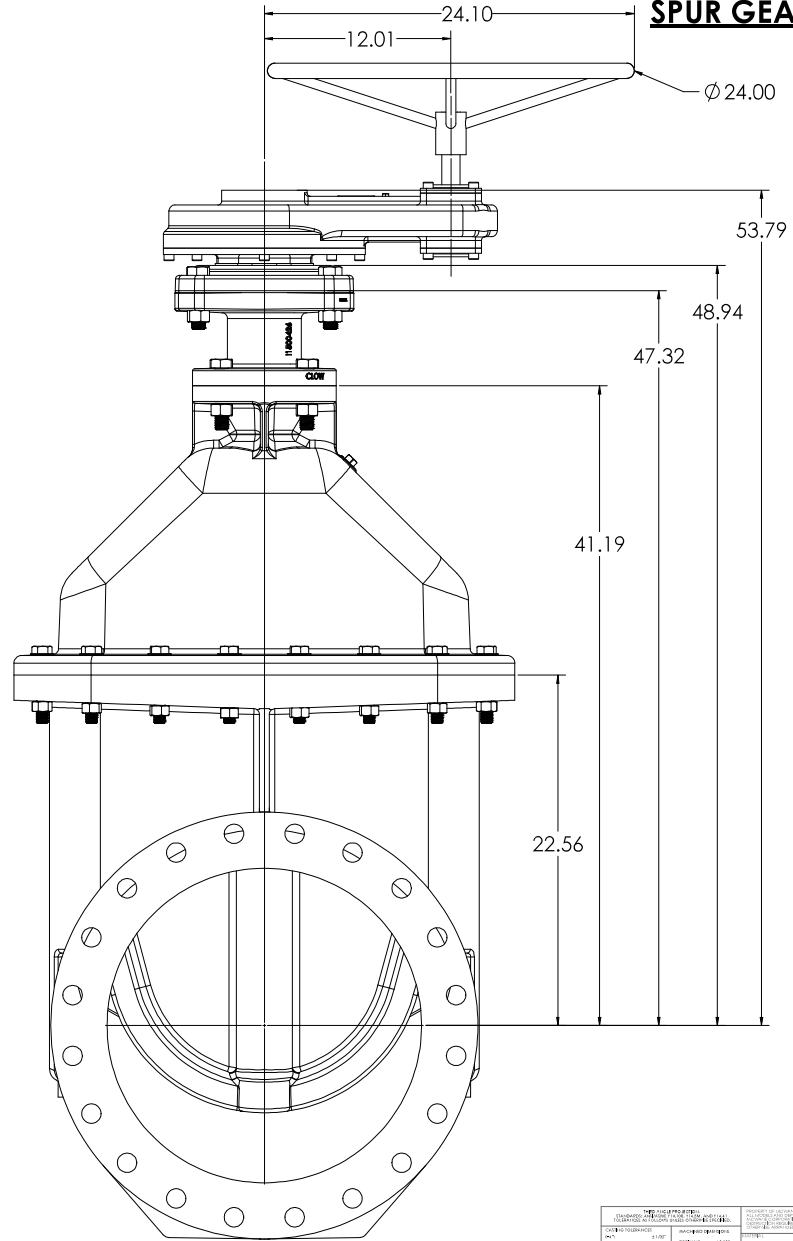


<b>CLW</b> CONSTRUCTION LINE WORKS		20" CS15 NRS GEARED RESILIENT WEDGE GATE VALVE		A
DATE: 11/15/16 DWG NO: 124320 REV: 01	PROJECT NO: 124320 SHEET NO: 7	SCALE: T:4	WEIGHT: LBS	2 OF 7
DWG: 124320		T:4		7

**BEVEL GEAR WITH HANDWHEEL**

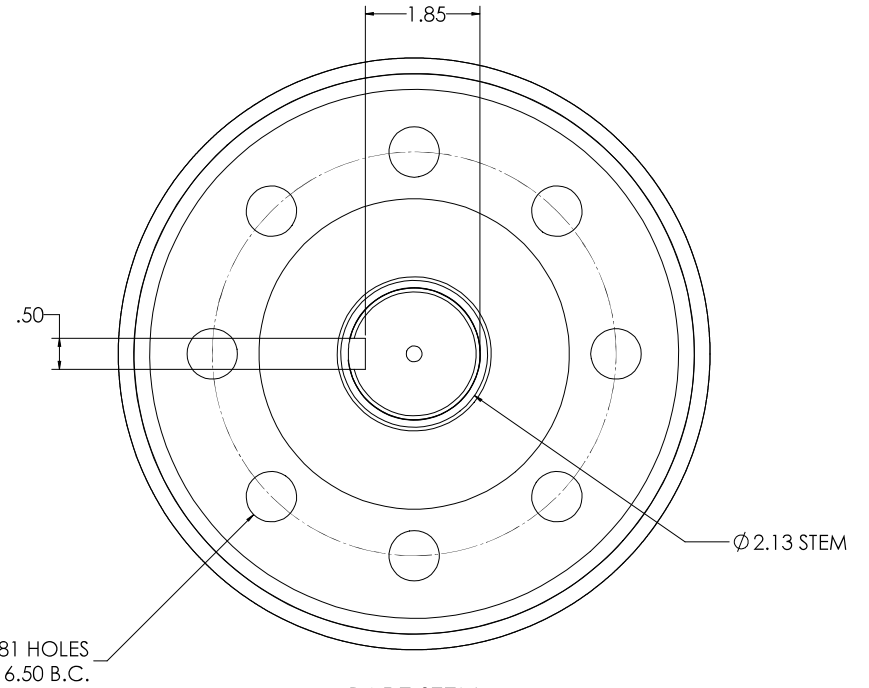
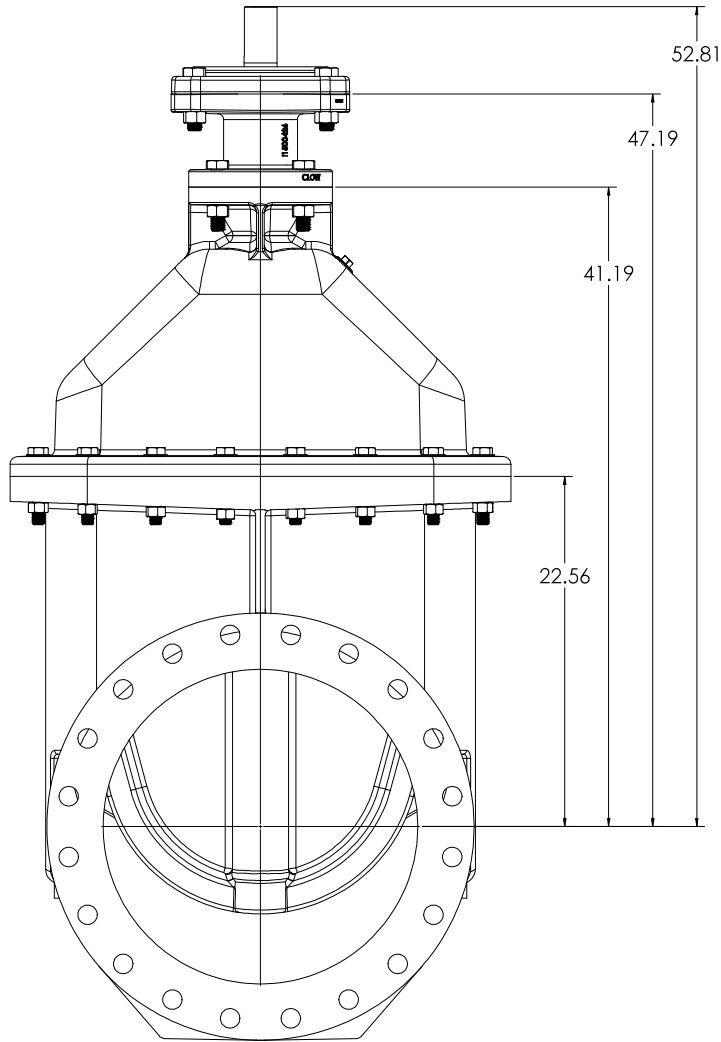


**SPUR GEAR WITH HANDWHEEL**



<b>CLW</b> CONSTRUCTION LUBRICATION WORKS		20' CS15 NRS GEARED RESILIENT WEDGE GATE VALVE		<b>CLW</b> CONSTRUCTION LUBRICATION WORKS
DATE: 11/11/2016 DWG NO: 124320 SCALE: T:4 SHEET NO: 7	PROJECT NO: 124320 PROJECT NAME: 20' CS15 NRS GEARED RESILIENT WEDGE GATE VALVE WEIGHT: LBS	DRAWN BY: DWI CHECKED BY: TSC APPROVED BY:	SHEET NO: 7 TOTAL SHEETS: 7	PROJECT NO: A PROJECT NAME: 20' CS15 NRS GEARED RESILIENT WEDGE GATE VALVE WEIGHT: LBS

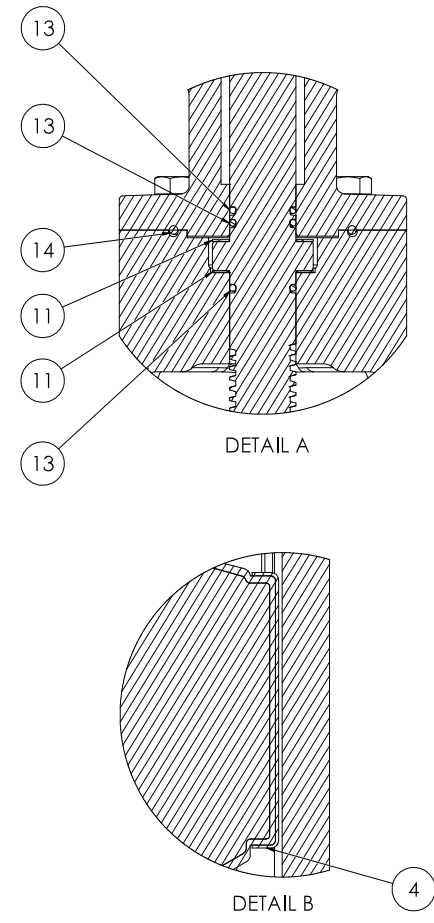
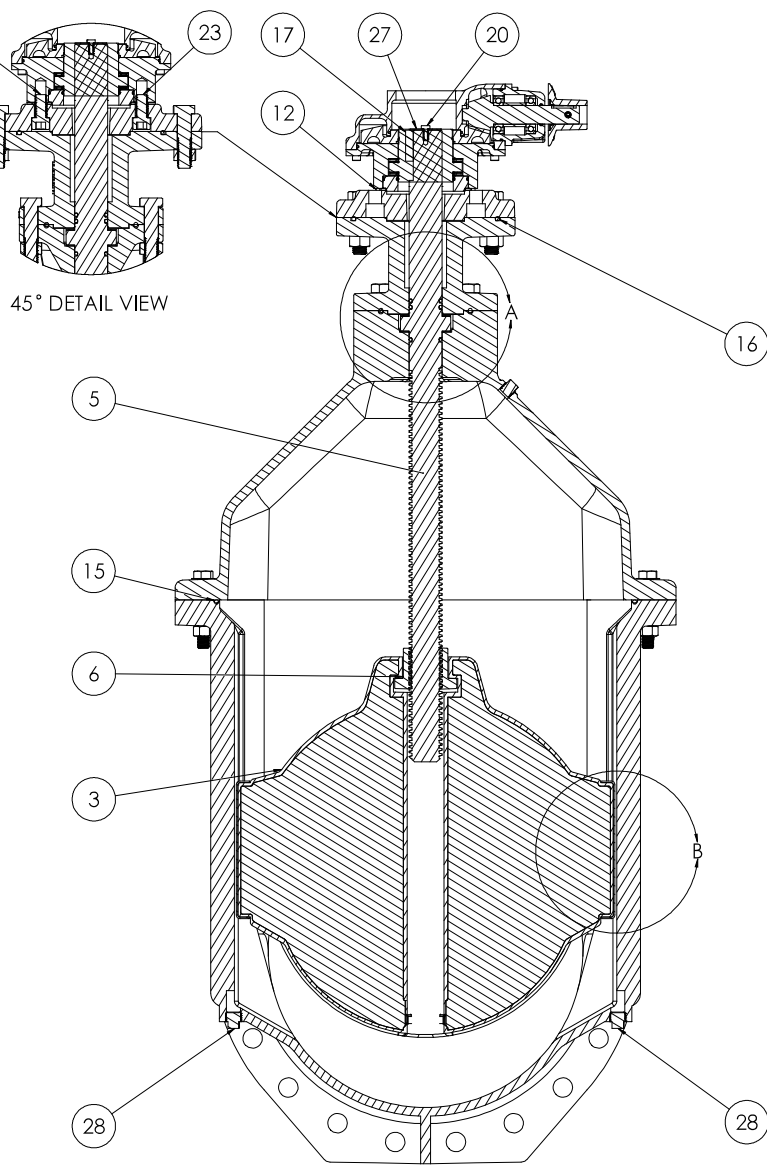
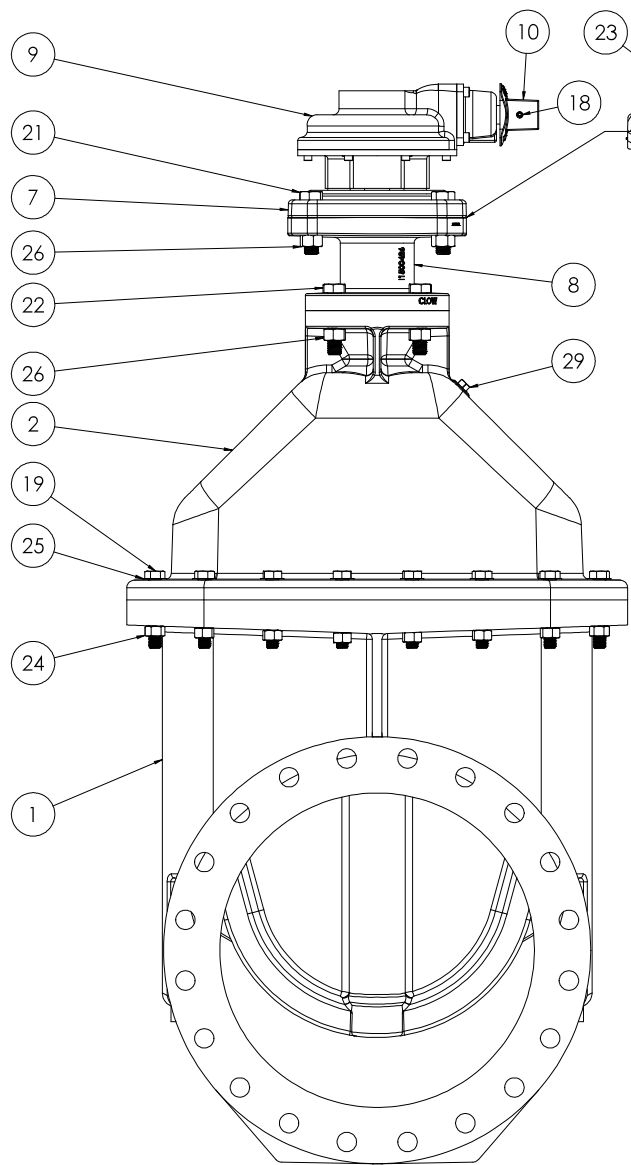
# BARE STEM



8 x Ø.81 HOLES  
ON Ø6.50 B.C.

BARE STEM  
MOUNTING FLANGE

DWG NO: 124320 DATE: 1/15/16 DESIGNED BY: DWI CHECKED BY: [blank] APPROVED BY: [blank]		PROJECT NO: 124320 PROJECT NAME: 20" CS15 NRS GEARED RESILIENT WEDGE GATE VALVE UNIT: LBS SCALE: T:4 SHEET NO: 7		DRAWING NO: A PROJECT: 20" CS15 NRS GEARED RESILIENT WEDGE GATE VALVE SHEET NO: 7 TOTAL SHEETS: 7		<b>CLW</b> CONSULTING ENGINEERS
--	--	--	--	--	--	---------------------------------------



DWG NO: 1043620 DATE: 01/11/18 DESIGNED BY: [Name] CHECKED BY: [Name]		PROJECT NO: [Number] PROJECT NAME: 20' CS18 NRS GEARED RESILIENT WEDGE GATE VALVE LBS: [Weight] T: 4		SHEET NO: 5 TOTAL SHEETS: 7 DWG NO: 1043620	
--	--	---	--	---	--

SECTION E-F

CLW  
 5  
 D

ITEM NO.	COMPONENT	QTY.	SIZE	STANDARD MATERIAL	MATERIAL OPTIONS
1	BODY	1	-	DUCTILE IRON	-
2	COVER	1	-	DUCTILE IRON	-
3	WEDGE	1	-	DUCTILE IRON/EPDM	-
4	WEDGE CAP	2	-	DELTRIN	-
5	STEM	1	2 1/8"	C86200	C99500 (LOW ZINC), 304 SS 316 SS
6	STEM NUT	1	-	C87610	C87850, C99500 (LOW ZINC)
7	ADAPTOR PLATE	1	-	DUCTILE IRON	-
8	EXTENSION PLATE	1	-	DUCTILE IRON	-
9	BEVEL GEAR	1	-	-	SPUR GEAR
10	OPERATING NUT	1	-	CAST IRON	304 SS, C86700 ** Ø 24.00 HANDWHEEL**
11	THRUST WASHER	2	-	DELTRIN	-
12	GASKET	1	-	BUNA-N	-
13	O-RING	3	#327	EPDM	BUNA-N
14	O-RING	1	#433	EPDM	BUNA-N
15	O-RING	1	#469	EPDM	BUNA-N
16	O-RING	1	#447	EPDM	BUNA-N
17	KEY	1	1/2" X 1/2" X 2"	18-8	-
18	COILED SPRING PIN	1	10mm X 45mm	302 SS OR 304 SS	-
19	HEX HEAD CAPSCREW	16	3/4" X 4 1/2"	18-8 SS	316 SS
20	HEX HEAD CAPSCREW	1	5/16" X 3/4"	18-8 SS	316 SS
21	HEX HEAD CAPSCREW	4	7/8" X 3 1/2"	18-8 SS	316 SS
22	HEX HEAD CAPSCREW	4	7/8" X 4"	18-8 SS	316 SS
23	SOCKET HEAD CAPSCREW	4	3/4" X 1 1/2"	18-8 SS	316 SS
24	HEX NUT	16	3/4" - 10	18-8 SS	316 SS
25	FLAT WASHER	16	3/4"	18-8 SS	316 SS
26	HEX NUT	8	7/8" - 9	18-8 SS	316 SS
27	FENDER WASHER	1	5/16"	18-8 SS	316 SS
28	PIPE PLUG	2	3/4" - NPT	304 SS	316 SS
29	PIPE PLUG	1	1/2" - NPT	304 SS	316 SS

- VALVES CONFORM WITH FOLLOWING STANDARDS
  - AWWA C515
  - NSF 61
- LOW ZINC BRASS STEM AND STEM NUT AVAILABLE
- 100% DOMESTIC FASTENER AND O-RING OPTIONS AVAILABLE
- OPEN LEFT (COUNTERCLOCKWISE) AND OPEN RIGHT (CLOCKWISE) OPTIONS AVAILABLE
- TURNS TO OPEN FROM FULLY CLOSED: 192
  - +/- 5% WITH STANDARD 3:1 BEVEL OR SPUR GEAR
- AWWA MAXIMUM ALLOWABLE CLOSING TORQUE 250 FT-LBS WITH STANDARD GEARING
- OPTIONAL HANDWHEEL CAN BE SUBSTITUTED FOR STANDARD 2" SQUARE OP NUTS
  - \*\*NOTE: STANDARD HANDWHEEL SIZE CALLED OUT IN PARTS LIST\*\*

DWG NO: 124320 DATE: 1/2/2018 DRAWN: DWI CHECKED: TSC APPROVED: [Signature]		PROJECT: 20' CS15 NRS GEARED RESILIENT WEDGE GATE VALVE SHEET NO: 6 OF 7 SCALE: T:4 PROJECT NO: 124320	CLIENT: A CONTRACT NO: [Blank] PROJECT NO: [Blank] SHEET NO: 6 OF 7 SCALE: T:4 PROJECT NO: 124320	<b>CLW</b> CONSTRUCTION LOGIC WORKS 124320
---	--	---	--	--