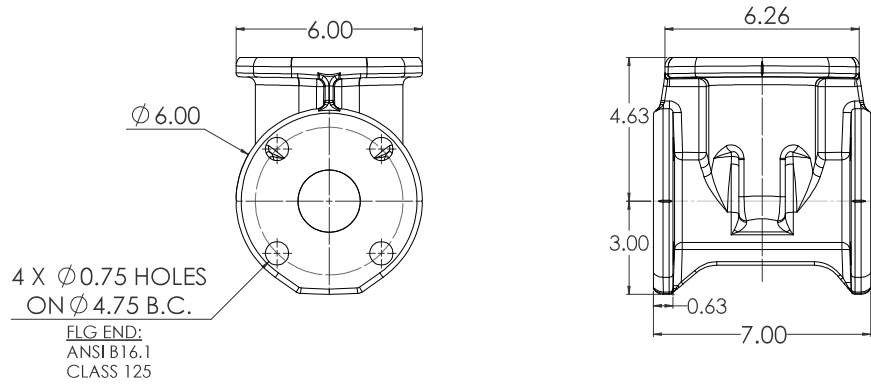
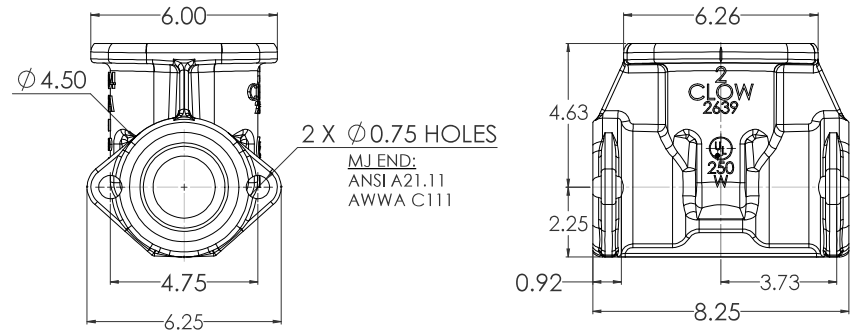


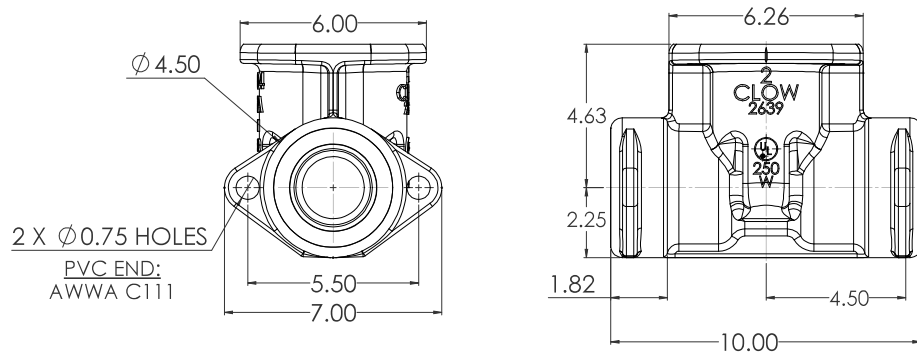
02" C509 FLG X FLG



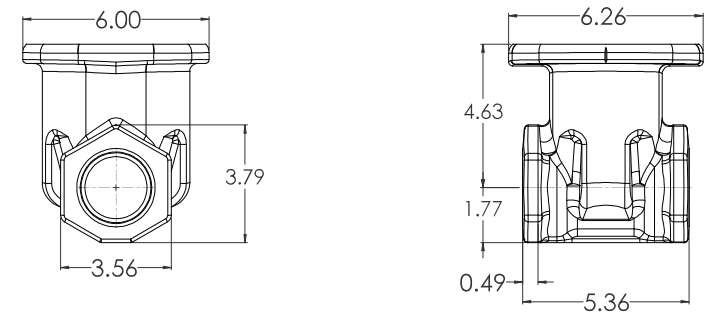
02" C509 MJ X MJ



02" C509 PVC X PVC

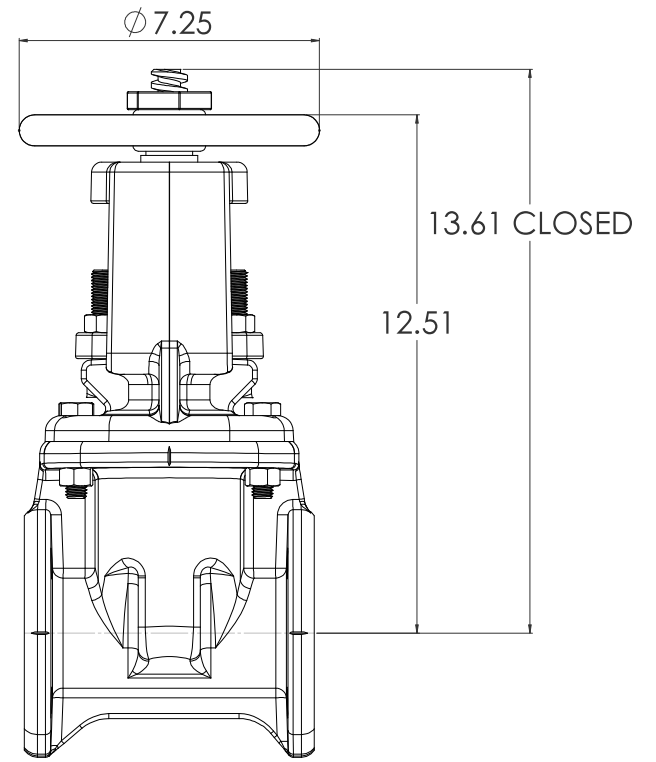
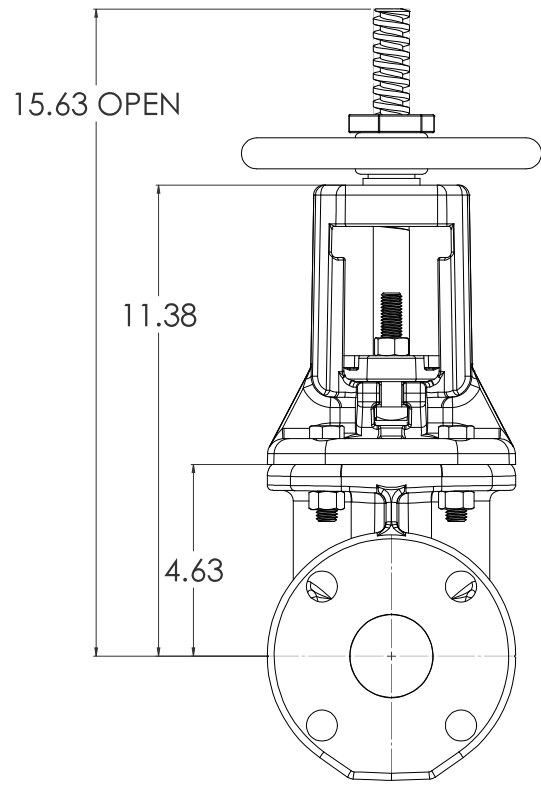


02" C509 THRD X THRD

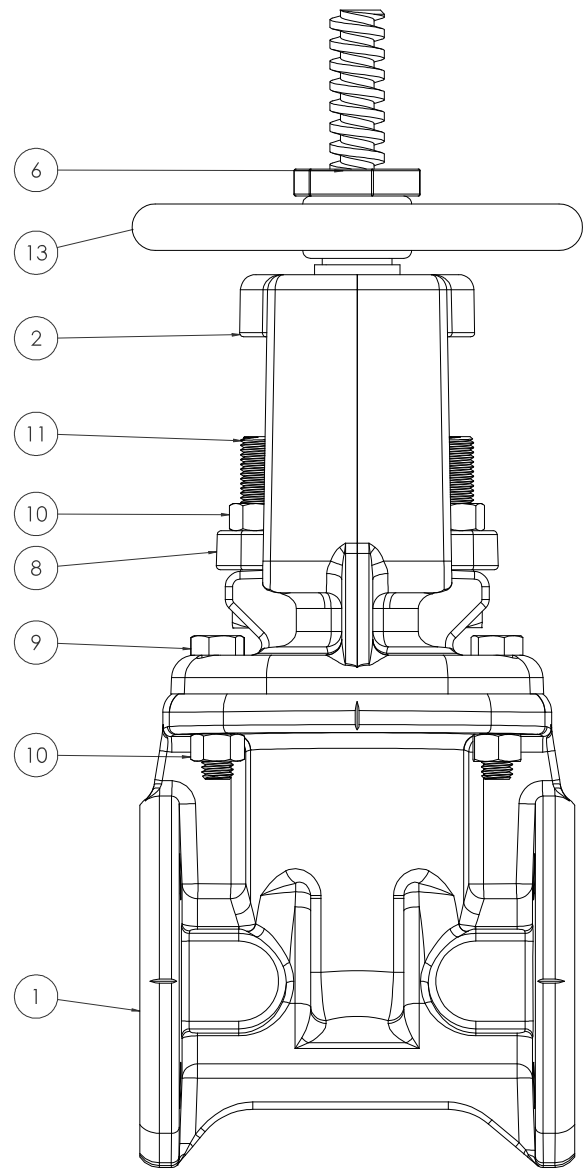
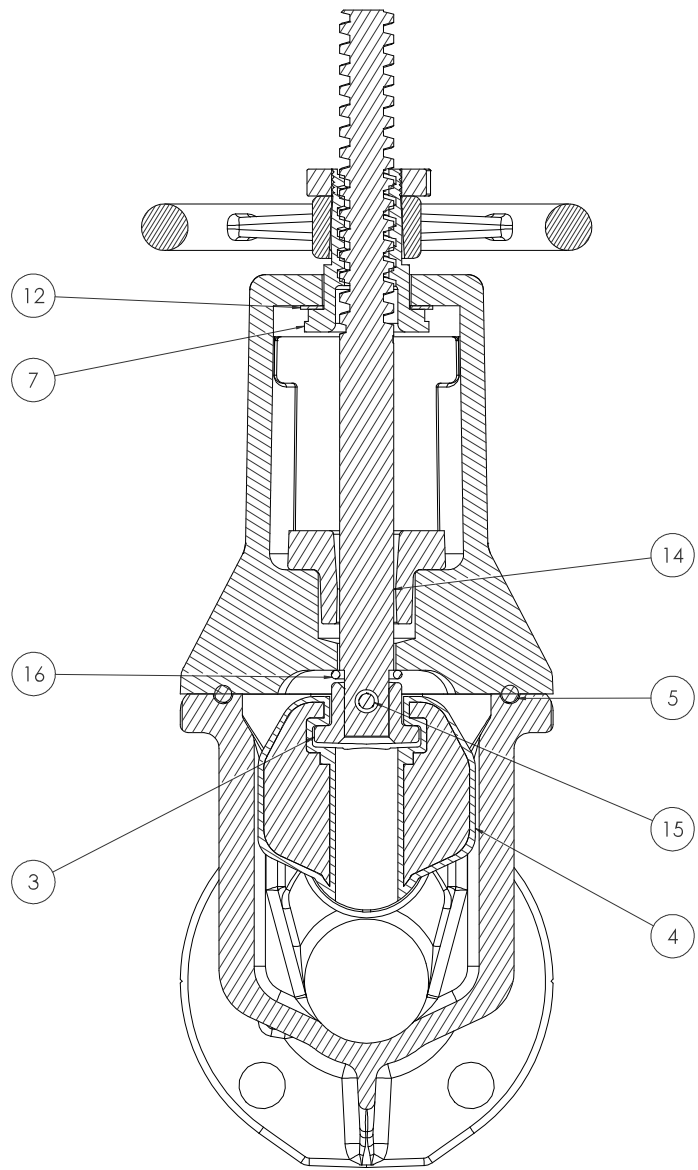


CLW CLOW VALVE CO.		02" C509 OS&Y RESILIENT LBS. WEDGE GATE VALVE		A	CLW VALVE CO.
DATE: 12/1/2020 DWG NO: 2100 REV: 0 DESIGNED BY: JH CHECKED BY: JH	DATE: 12/1/2020 DWG NO: 2100 REV: 0 DESIGNED BY: JH CHECKED BY: JH	PROJECT NO: 1221/2020	SCALE: 1:2	SHEET NO: 5	TOTAL SHEETS: 5

OS&Y WITH HANDWHEEL



CLW <small>CONSTRUCTION LOGGING WORKS</small>		<small>1271/2020</small>		<small>1271/2020</small>		<small>1271/2020</small>		<small>1271/2020</small>	
<small>DATE</small> <small>REV</small> <small>REV</small> <small>REV</small> <small>REV</small>	<small>DESCRIPTION</small> <small>DATE</small> <small>DATE</small> <small>DATE</small>	<small>PROJECT</small> <small>NO.</small> <small>NO.</small> <small>NO.</small>	<small>SCALE</small> <small>SCALE</small> <small>SCALE</small>	<small>DATE</small> <small>DATE</small> <small>DATE</small>	<small>DATE</small> <small>DATE</small> <small>DATE</small>	<small>DATE</small> <small>DATE</small> <small>DATE</small>	<small>DATE</small> <small>DATE</small> <small>DATE</small>	<small>DATE</small> <small>DATE</small> <small>DATE</small>	<small>DATE</small> <small>DATE</small> <small>DATE</small>
<small>02" C509 OS&Y RESILIENT WEDGE GATE VALVE</small>				<small>LBS.</small>		<small>T:10</small>		<small>5</small>	
<small>1271/2020</small>				<small>1271/2020</small>		<small>1271/2020</small>		<small>1271/2020</small>	



CLW CLW Valve Co.		02" C509 OS&Y RESILIENT LBS. WEDGE GATE VALVE		3 5	A D
DATE: 12/1/2020 DWG NO: 1221/2020	REV: 1 DATE: 12/1/2020	SPEC: 1221/2020 SIZE: 02"	WEIGHT: 10.00 DIMENSIONS: 10.00"	MATERIAL: 304 FINISH: 316	DRAWN BY: CW CHECKED BY: 1221/2020

<u>ITEM NO.</u>	<u>COMPONENT</u>	<u>QTY.</u>	<u>SIZE</u>	<u>STANDARD MATERIAL</u>	<u>MATERIAL OPTIONS</u>
1	BODY	1	-	CAST IRON	DUCTILE IRON
2	COVER	1	-	CAST IRON	DUCTILE IRON
3	STEM NUT	1	-	C87850	C87610 (LOW ZINC)
4	WEDGE	1	-	EPDM/DUCTILE IRON	-
5	O-RING	1	#346	EPDM	BUNA-N
6	HANDWHEEL NUT	1	-	C87850	C87610
7	TOP STEM NUT	1	-	C86700	-
8	GLAND	1	-	CAST IRON	-
9	HEX HEAD CAP SCREW	4	1/2"-13 X 2"	18-8 SS	316 SS
10	HEX NUT	6	1/2"-13	18-SS	316 SS
11	SQUARE HEAD CAP SCREW	2	1/2"-13 X 2 3/4"	18-8 SS	316 SS
12	THRUST WASHER	1	-	ACETAL	C26000
13	HANDWHEEL	1	Ø 7 1/4"	DUCTILE IRON	-
14	STEM	1	-	C36000	C65500 (LOW ZINC), 304 SS
15	DRIVLOK PIN	1	1/4" X 1 1/4"	303 SS	-
16	O-RING	1	#212	EPDM	BUNA-N

- VALVES CONFORM WITH THE FOLLOWING STANDARDS
 - NSF 61
- LOW ZINC BRASS STEM AND AVAILABLE
- 100% DOMESTIC FASTENERS AND ORINGS OPTIONS AVAILABLE
- *OPEN LEFT* (COUNTERCLOCKWISE) AND *OPEN RIGHT* (CLOCKWISE) OPTIONS AVAILABLE
- TURNS TO OPEN FROM FULLY CLOSED: 5
- AWWA MAXIMUM ALLOWABLE CLOSING TORQUE 20 FT-LBS

<small> COMPANY: CLW ADDRESS: 12345 INDUSTRIAL BLVD CITY: ANYTOWN, STATE, ZIP PHONE: (555) 123-4567 FAX: (555) 987-6543 E-MAIL: SALES@CLW.COM WEBSITE: WWW.CLW.COM </small>		<small> PROJECT: 02' C509 OS&Y RESILIENT WEDGE GATE VALVE DATE: 12/1/2020 DRAWN BY: [Name] CHECKED BY: [Name] </small>		<small> SHEET NO. 4 TOTAL SHEETS 5 </small>
<small> PROJECT: 02' C509 OS&Y RESILIENT WEDGE GATE VALVE DATE: 12/1/2020 DRAWN BY: [Name] CHECKED BY: [Name] </small>			<small> SHEET NO. 4 TOTAL SHEETS 5 </small>	<small> SCALE: T:10 PROJECT: 02' C509 OS&Y RESILIENT WEDGE GATE VALVE DATE: 12/1/2020 DRAWN BY: [Name] CHECKED BY: [Name] </small>