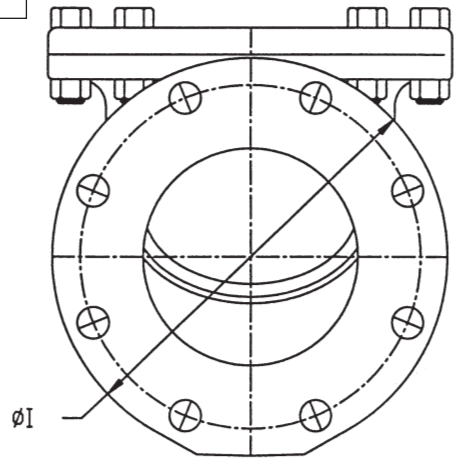
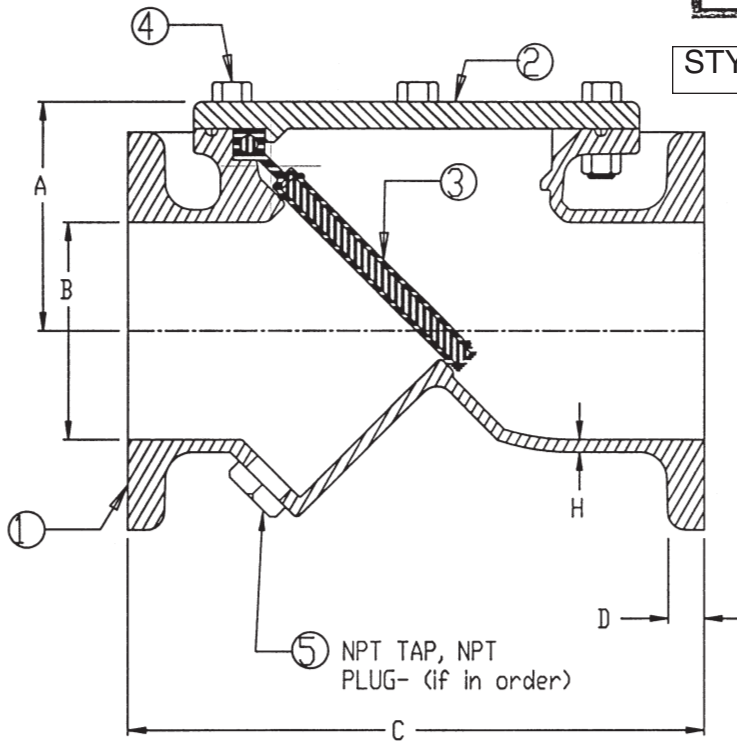


KENFLEX RESILIENT HINGED
CHECK VALVE

CLOW VALVE COMPANY

STYLE 506 AS



E - BOLT CIRCLE DIA. END FLANGE
F - NUMBER OF BOLTS REQ'D EACH END FLANGE
G - BOLT HOLE DIAMETER FOR END FLANGE
END FLANGES CONFORM TO ANSI B16.1

PART NO.	NO. REQ'D	PART	MATERIAL
1	1	BODY	DUCTILE IRON
2	1	COVER PLATE	DUCTILE IRON
3	1	FLAPPER	RESILIENT FLAPPER, MET. INSERT
4	Varies	COVER BOLTS AND NUTS	STEEL
5	1	NPT PLUG, STD ALL VALVES	STEEL

SIZE	A (approx)	ϕ B	C	D (nominal)	ϕ E	F	ϕ G	H (non.)	I
4	4.88	4.00	13	1.00	7.50	8	0.75	0.31	9.0
6	6.38	6.00	16	1.06	9.50	8	0.88	0.34	11.0
8	7.63	8.00	19.5	1.19	11.75	8	0.88	0.34	13.5
10	9.06	10.00	24.5	1.25	14.25	12	1.00	0.38	16.0
12	10.63	12.00	27.5	1.28	17.00	12	1.00	0.41	19.0