

CLOW INCREASING HORIZONTAL SWING
CHECK VALVE FLANGED END-RUBBER SEAT

CLOW VALVE COMPANY

**CLOW AWWA Horizontal Swing Check Valves, IBBM
Meet or Exceed the Requirements
of AWWA Standard C508**

Size Range	Water Working Pressure psi	Hydrostatic Shell Pressure psi
4" X 6"	175	350
4" X 8"	175	350
6" X 8"	175	350
6" X 10"	175	350
8" X 10"	175	350
8" X 12"	175	350
10" X 12"	175	350

Available End Connections

Style

Flanged	(Plain)	306A
Flanged	Outside Weight & Lever	306AL
Flanged	Outside Spring & Lever	306AS

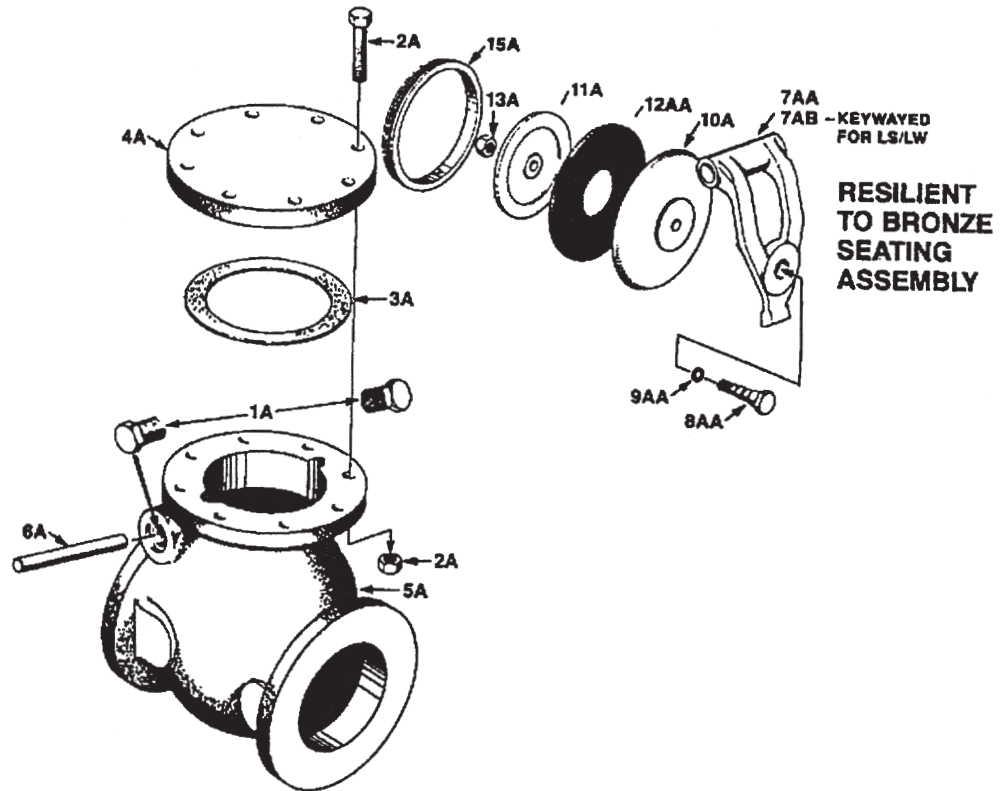
Accessories

Outside Weight & Lever	Limit Switches
Outside Spring & Lever	Tapped Bosses (drain-Bypass)

INCREASING HORIZONTAL SWING CHECK VALVE
RUBBER SEAT PLAIN TYPE PARTS LIST

CLOW VALVE COMPANY

STYLE 306 A

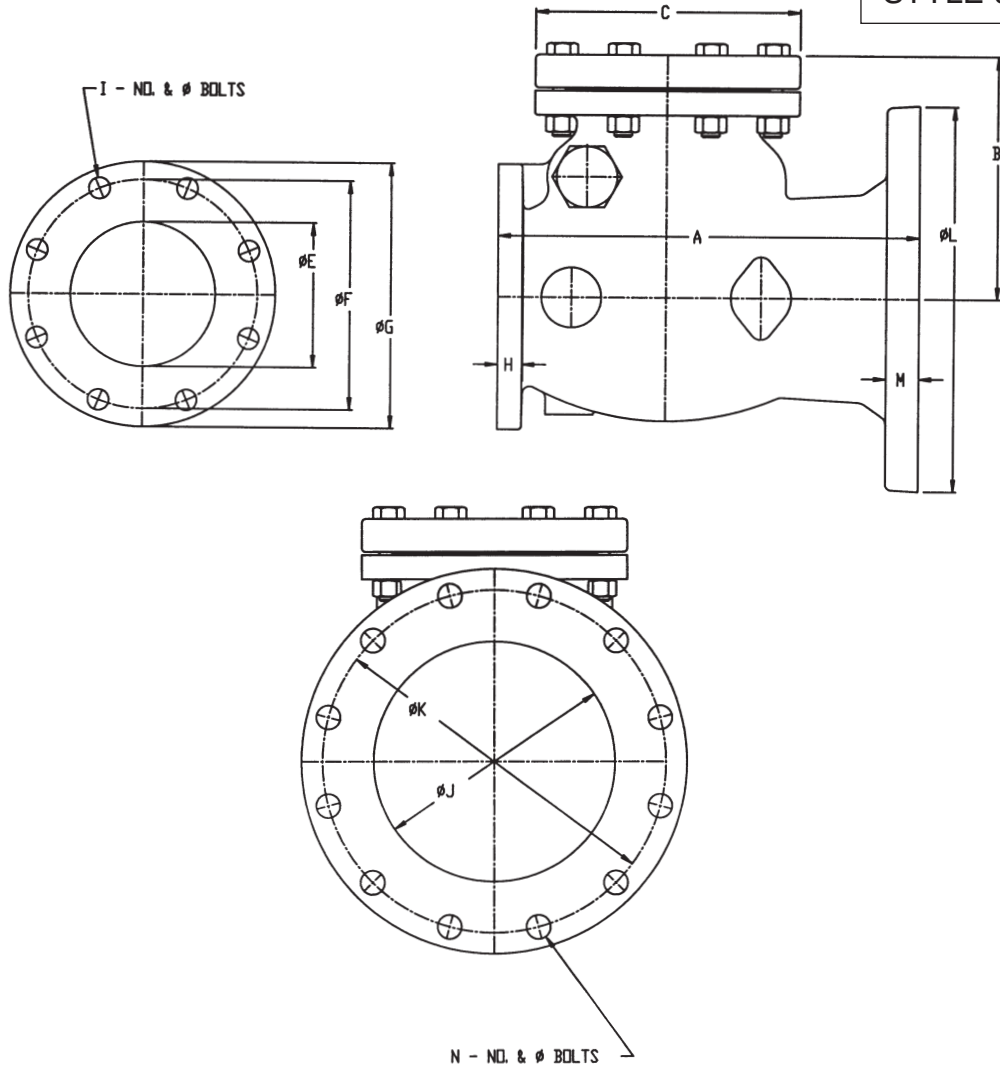


DET.	QTY.	DESCRIPTION	MATERIAL
1A	2	SIDE PLUG	BRONZE
2A	2	CAP BOLT & NUTS	RUST PROOF STEEL
3A	1	CAP GASKET	
4A	1	CAP	CAST IRON
5A	1	BODY	CAST IRON
6A	1	HINGE PIN	STAINLESS STEEL
7AA	1	HINGE	BRONZE (2"-3") DUCTILE IRON (4"-12")
8AA	1	DISC BOLT (4" - 12")	BRONZE (2"-3") BRONZE (4"-12")
9AB	2	DISC BOLT WASHER (4"-8")	
10A	1	DISC HOLDER	BRONZE (2"-3") CAST IRON (4"-12")
11A	1	DISC PLATE	BRONZE
12AA	1	DISC	SYNTHETIC RUBBER
13A	2	DISC NUT	RUST PROOFED STEEL
15A	1	SEAT RING	BRONZE

INCREASING HORIZONTAL SWING CHECK
VALVES, FLANGED ENDS
PLAIN - GEN. DIM.

CLOW VALVE COMPANY

STYLE 306 A



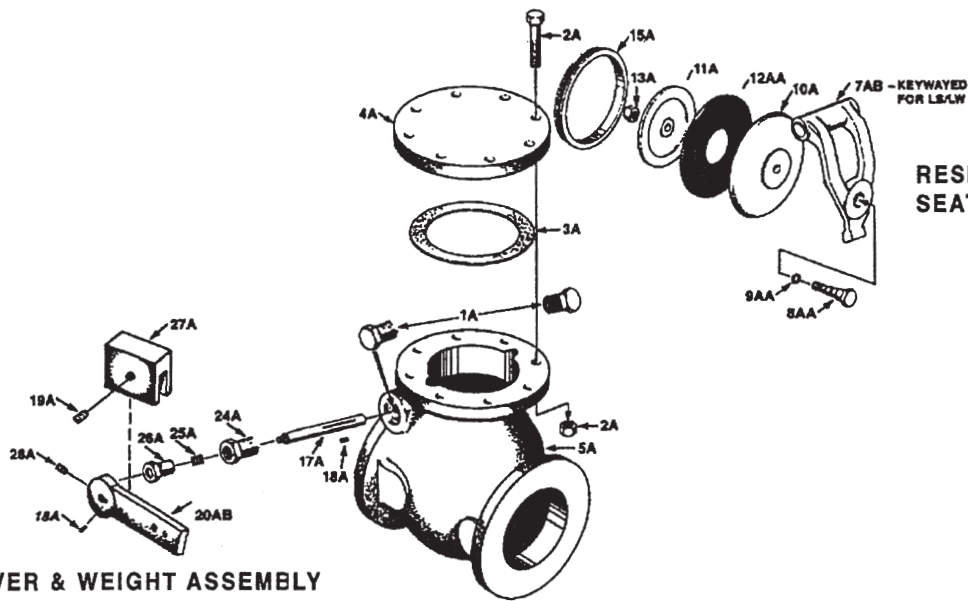
DIMENSIONS - INCHES

SIZE	A	B	C	D	E	F	G	H	I	J	K	L	M	N
4x6	13.50	8.31	9		4	7.50	9	0.94	8-0.63	6	9.50	11	1	8-0.75
4x8	15	8.31	9		4	7.50	9	0.94	8-0.63	8	11.75	13.50	1.13	8-0.75
6x8	17	10.06	11		6	9.50	11	1	8-0.75	8	11.75	13.50	1.13	8-0.75
6x10	17.50	10.06	11		6	9.50	11	1	8-0.75	10	14.25	16	1.19	12-0.88
8x10	20	12.38	13.50		8	11.75	13.50	1.13	8-0.75	10	14.25	16	1.19	12-0.88
8x12	21	12.38	13.50		8	11.75	13.50	1.13	8-0.75	12	17	19	1.25	12-0.88
10x12	22.50	13.93	16.75		10	14.25	16	1.19	12-0.88	12	17	19	1.25	12-0.88

INCREASING HORIZONTAL SWING CHECK VALVE
RUBBER SEAT WEIGHT & PART LIST

CLOW VALVE COMPANY

STYLE 306 AL



**RESILIENT TO BRONZE
SEATING ASSEMBLY**

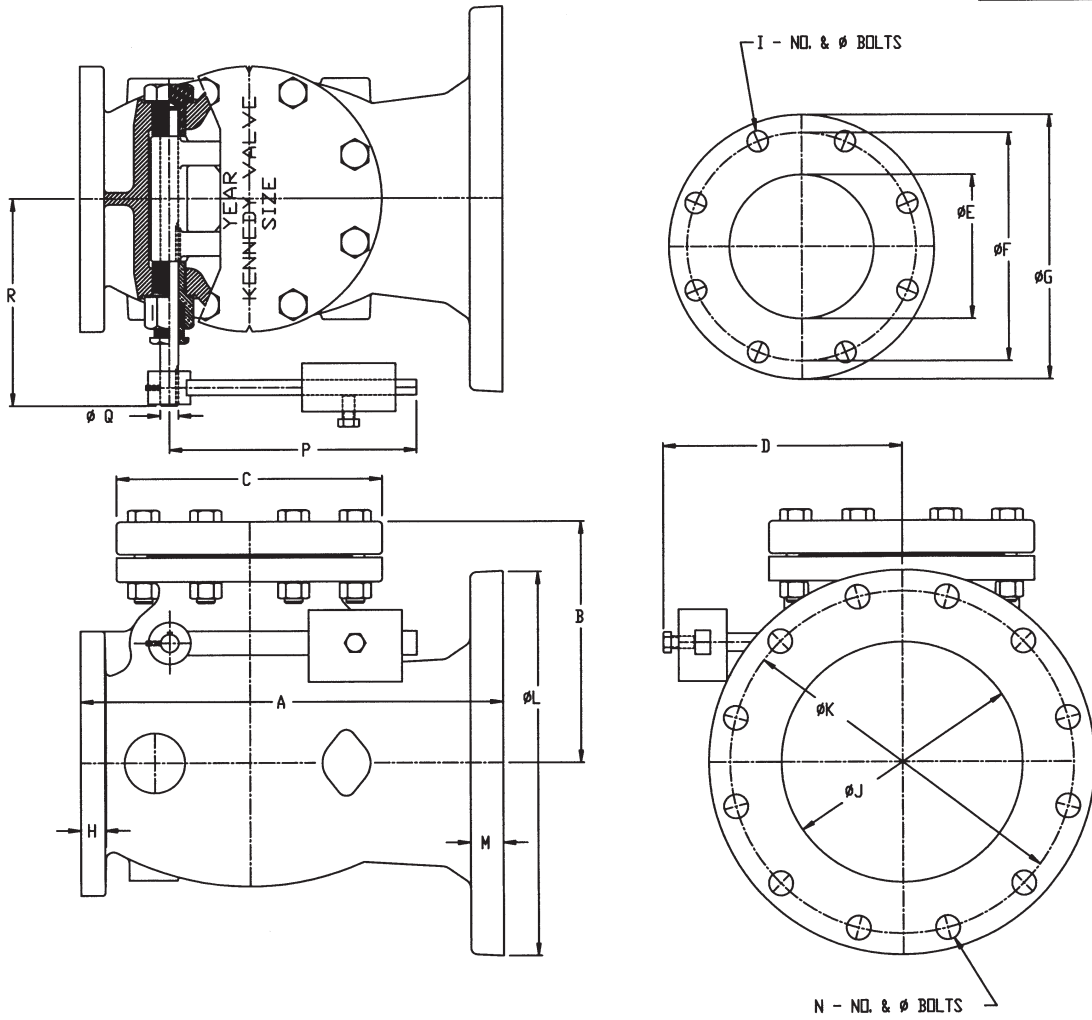
LEVER & WEIGHT ASSEMBLY

DET.	QTY.	DESCRIPTION	MATERIAL
1A	2	SIDE PLUG	BRONZE
2A		CAP BOLT & NUTS	RUST PROOF STEEL
3A	1	CAP GASKET	
4A	1	CAP	CAST IRON
5A	1	BODY	CAST IRON
7AB	1	HINGE WITH KEYWAY	BRONZE (2"-3") DUCTILE IRON (4"-12")
8AA	1	DISC BOLT (4" - 12")	BRONZE (2"-3") DUCTILE IRON (4"-12")
9AA	1	DISC BOLT O-RING (10"-12")	SYNTHETIC RUBBER
9AA	1	DISC BOLT O-RING (10"-12")	SYNTHETIC RUBBER
10A	1	DISC HOLDER	BRONZE (2"-3" CAST IRON (4"-12")
11A	1	DISC PLATE	BRONZE
12AA	1	DISC	SYNTHETIC RUBBER
13A	2	DISC NUT	RUST PROOFED STEEL
15A	1	SEAT RING	BRONZE
17A	1	EXTENDED HINGE PIN	STAINLESS STEEL
13A	1	KEY	STAINLESS STEEL
19A	1	SET SCREW	RUST PROOF STEEL
20AB	1	LEVER ARM	STEEL
24A	1	STUFFING BOX	BRONZE
25A		PACKING	GRAPHITE FILLED
26A	1	GLAND	BRONZE
27A	1	WEIGHT	CAST IRON
28A	1	SETSCREW	RUST PROOF STEEL

INCREASING HORIZONTAL SWING CHECK VALVES, FLANGED ENDS
OUTSIDE LEVER & WEIGHT - GEN. DIM.

CLOW VALVE COMPANY

Style
3159-02

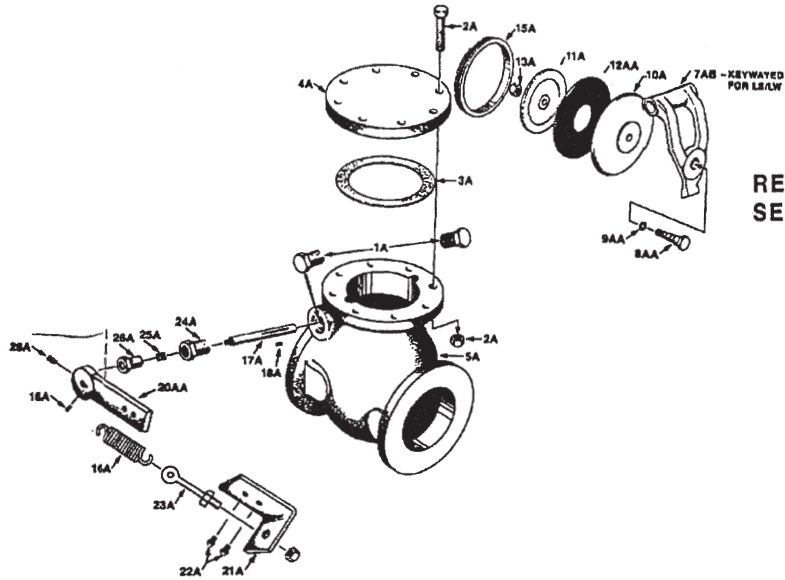


SIZE	A	B	C	D	E	F	G	H APPRX.	I	J	K	L	M	N	P	Q	R
4x6	13.50	8.31	9	10.1	4	7.50	9	0.94	8-0.63	6	9.50	11	1	8-0.75	8.25	0.63	8.19
4x8	15	8.31	9	10.1	4	7.50	9	0.94	8-0.63	8	11.75	13.50	1.13	8-0.75	8.25	0.63	8.19
6x8	17	10.06	11	10.9	6	9.50	11	1	8-0.75	8	11.75	13.50	1.13	8-0.75	10.25	0.75	9.00
6x10	17.50	10.06	11	10.9	6	9.50	11	1	8-0.75	10	14.25	16	1.19	12-0.88	10.25	0.75	9.00
8x10	20	12.38	13.50	12.4	8	11.75	13.50	1.13	8-0.75	10	14.25	16	1.19	12-0.88	14.5	0.88	10.19
8x12	21	12.38	13.50	12.4	8	11.75	13.50	1.13	8-0.75	12	17	19	1.25	12-0.88	14.5	0.88	10.19
10x12	22.50	13.93	16.75	14.7	10	14.25	16	1.19	12-0.88	12	17	19	1.25	12-0.88	18	1.00	11.63

INCREASING HORIZONTAL SWING CHECK VALVES
VALVES RUBBER SEAT OUTSIDE
LEVER AND SPRING PARTS LIST

CLOW VALVE COMPANY

STYLE 306 AS



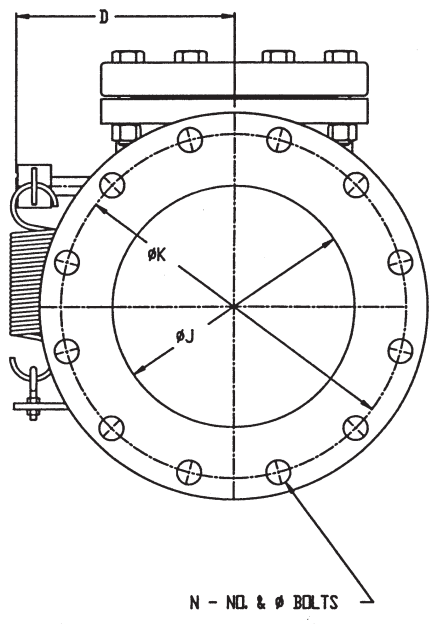
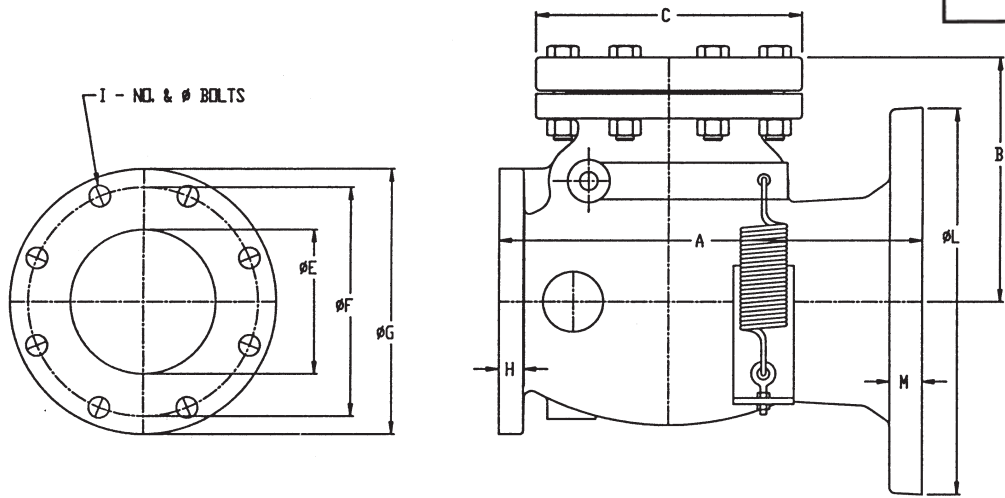
RESILIENT TO BRONZE
SEATING ASSEMBLY

DET.	QTY.	DESCRIPTION	MATERIAL
1A	2	SIDE PLUG	BRONZE
2A		CAP BOLT & NUTS	RUST PROOF STEEL
3A	1	CAP GASKET	
4A	1	CAP	CAST IRON
5A	1	BODY	CAST IRON
7AB	1	HINGE WITH KEYWAY	BRONZE (2"-3") DUCTILE IRON (4"-12")
8AA	1	DISC BOLT (4" - 12")	BRONZE (2"-3") DUCTILE IRON (4"-12")
9AA	1	DISC BOLT O-RING (10"-12")	SYNTHETIC RUBBER
9AA	1	DISC BOLT O-RING (10"-12")	SYNTHETIC RUBBER
10A	1	DISC HOLDER	BRONZE (2"-3" CAST IRON (4"-12")
11A	1	DISC PLATE	BRONZE
12AA	1	DISC	SYNTHETIC RUBBER
13A	2	DISC NUT	RUST PROOFED STEEL
15A	1	SEAT RING	BRONZE
16A	1	SPRING	STEEL
17A	1	EXTENDED HINGE PIN	STAINLESS STEEL
18A	1	KEY	STAINLESS STEEL
20AA	1	LEVER ARM	STEEL
21A	1	BRACKET	STEEL
22A	2	BRACKET BOLT	RUST PROOF STEEL
23A	1	EYE BOLT WITH NUTS	RUST PROOF STEEL
24A	1	STUFFING BOX	BRONZE
25A		PACKING	GRAPHITE FILLED
26A	1	GLAND	BRONZE
28A	1	SETScrew	RUST PROOF STEEL

INCREASING HORIZONTAL SWING CHECK VALVES, FLANGED ENDS
OUTSIDE SPRING & LEVER - GEN. DIM.

CLOW VALVE COMPANY

Style
3259-02



SIZE	A	B	C	D	E	F	G	H	I	J	K	L	M	N
4x6	13.50	8.31	9	8.19	4	7.50	9	0.94	8-0.63	6	9.50	11	1	8-0.75
4x8	15	8.31	9	8.19	4	7.50	9	0.94	8-0.63	8	11.75	13.50	1.13	8-0.75
6x8	17	10.06	11	9	6	9.50	11	1	8-0.75	8	11.75	13.50	1.13	8-0.75
6x10	17.50	10.06	11	9	6	9.50	11	1	8-0.75	10	14.25	16	1.19	12-0.88
8x10	20	12.38	13.50	0.19	8	11.75	13.50	1.13	8-0.75	10	14.25	16	1.19	12-0.88
8x12	21	12.38	13.50	0.19	8	11.75	13.50	1.13	8-0.75	12	17	19	1.25	12-0.88
10x12	22.50	13.93	16.75	1.63	10	14.25	16	1.19	12-0.88	12	17	19	1.25	12-0.88