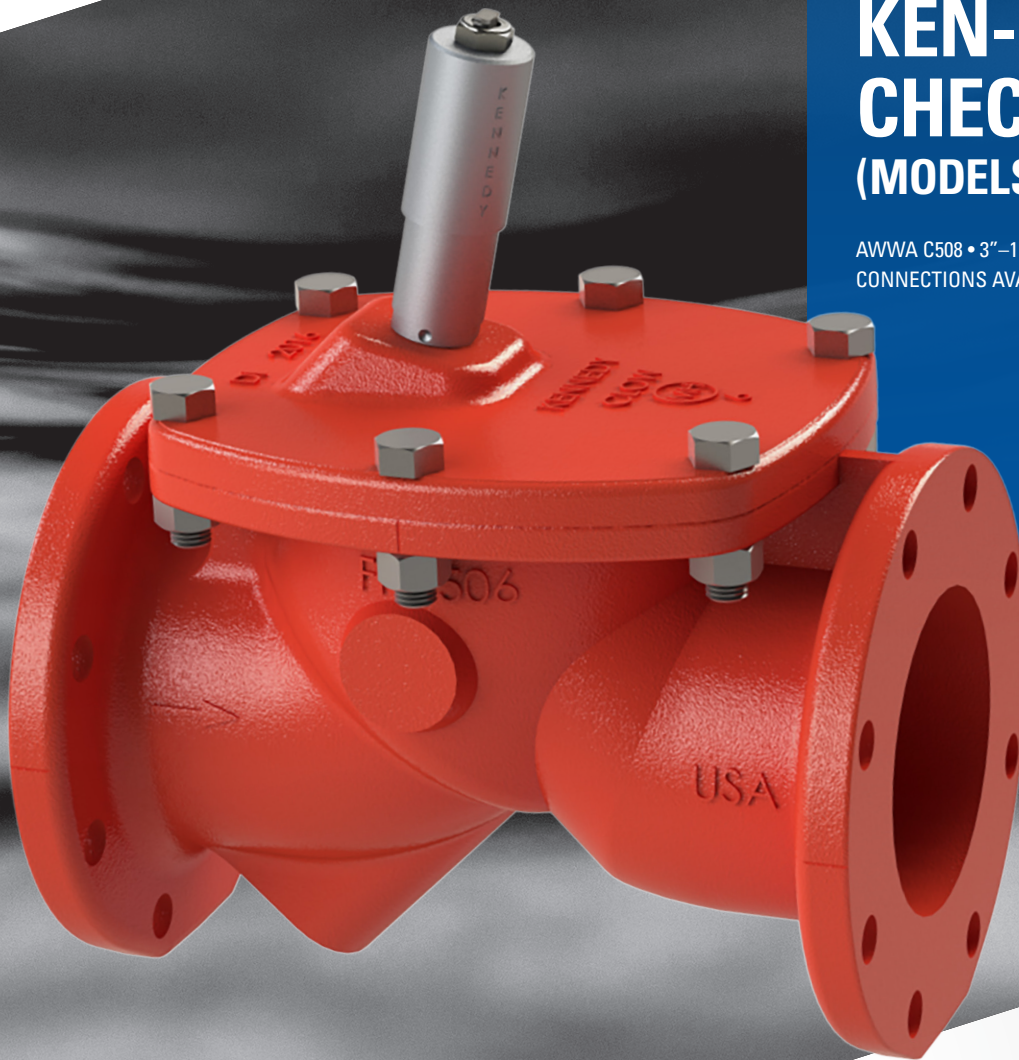


CLOW
VALVE CO.

ClowValve.com

KEN-FLEX CHECK VALVE (MODELS 506 & 506-SP)

AWWA C508 • 3"–12" • 250 PSI • FLANGED END
CONNECTIONS AVAILABLE



Clow Valve, A Division of McWane, Inc.

For Generations

KEN-FLEX CHECK VALVE FUNCTION

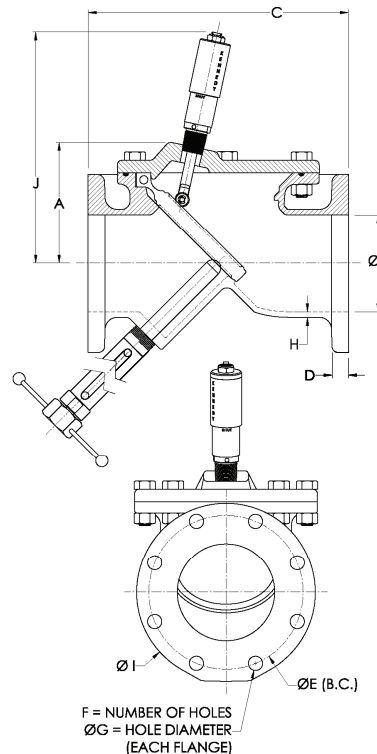
The Ken-Flex Resilient Hinged Check Valve eliminates most problems associated with swing check valves. Because of its simplicity, it is ideal for “dirty water” applications. The addition of the position indicator not only provides flapper location feedback but also acts as a surge preventer. The position indicator is spring loaded, causing the flapper to quickly close in the event of loss of flow. The Jack Screw option allows the Check Valve to be back flushed, clearing the waterway.

KEN-FLEX CHECK VALVE FEATURES

- 4”–12” sizes available
- AWWA C508
- ASME B16.1 Class 125 Flanges
- 100% Flow Area
- Ductile Iron Body and Cover
- Quiet operation with Non-Slam design
- Position indicator provides continuous feedback of flapper position (506-SP)
- Surge prevention is accomplished via continuous spring forces applied against the flapper to promote accelerated closer (506-SP)
- Back flushing through the use of optional Jack Screw
- The Ken-Flex has been tested for one million cycles and still maintained a bubble tight seal

Rated Pressure — 250 PSI

Test Pressure — Seat 400 PSI, Shell 500 PSI



END FLANGES CONFORM TO ASME B16.1 CLASS 125

KEN-FLEX CHECK VALVE DIMENSIONS

All dimensions in inches.

SIZE	A (APPROX.)	B	C	D (NOM.)	E	F	G	H (NOM.)	I	J (APPROX.)
4	5.37	4.00	13	1.00	7.50	8	0.75	0.31	9.0	12.21
6	7.45	6.00	16	1.06	9.50	8	0.88	0.34	11.0	14.28
8	8.77	8.00	19.5	1.19	11.75	8	0.88	0.34	13.5	15.61
10	10.20	10.00	24.5	1.25	14.25	12	1.00	0.38	16.0	17.04
12	11.61	12.00	27.5	1.28	17.00	12	1.00	0.41	19.0	18.45

* 4" Size valve available with 3" ASME B16.1 drill pattern

COMMITTED TO ENVIRONMENTAL RESPONSIBILITY

Clow Valve Company is committed to protecting our natural resources through environmentally responsible manufacturing practices, including the use of 80+% recycled content in our hydrants and valves.



ISO 9001:2008 Certified
ISO 14001:2004 Certified

CLOW
VALVE CO.

902 South 2nd Street
Oskaloosa, IA 52577
Ph 641-673-8611
Fx 641-673-8269



POCKET ENGINEER
Available for iOS + Android
or online at pe.mcwane.com.



REVISION A-2018



ClowValve.com